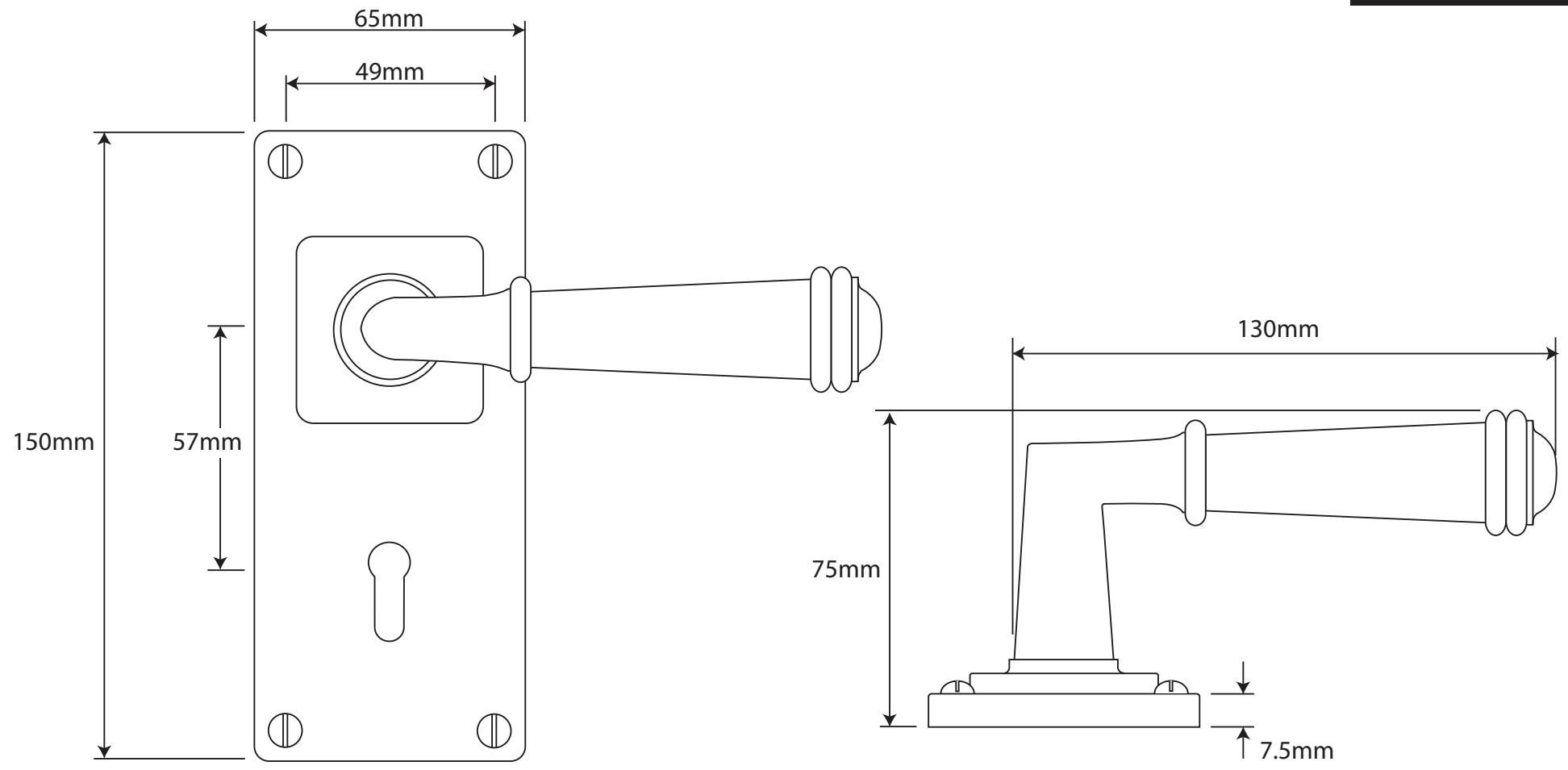


P/N. FD070

ALL DIMENSIONS IN
MM UNLESS STATED

THE CONTENTS OF THIS DRAWING ARE COPYRIGHT AND SHOULD NOT BE
REPRODUCED WITHOUT THE PERMISSION OF DJH ENGINEERING



				QTY	
			DESCRIPTION	DRG.	D. Urwin
			FD070 Durham Door Lever Lock/Keyhole Backplate.	DATE	20/09/18
1	20/09/18		LT REF.	SCALE	N/A
ISSUE	DATE	REVISION	MATL.	CODE	FD070

H:\Finesse & Stonebridge Handle Hardware\Finesse\ Dim Dwgs\FD070.pdf