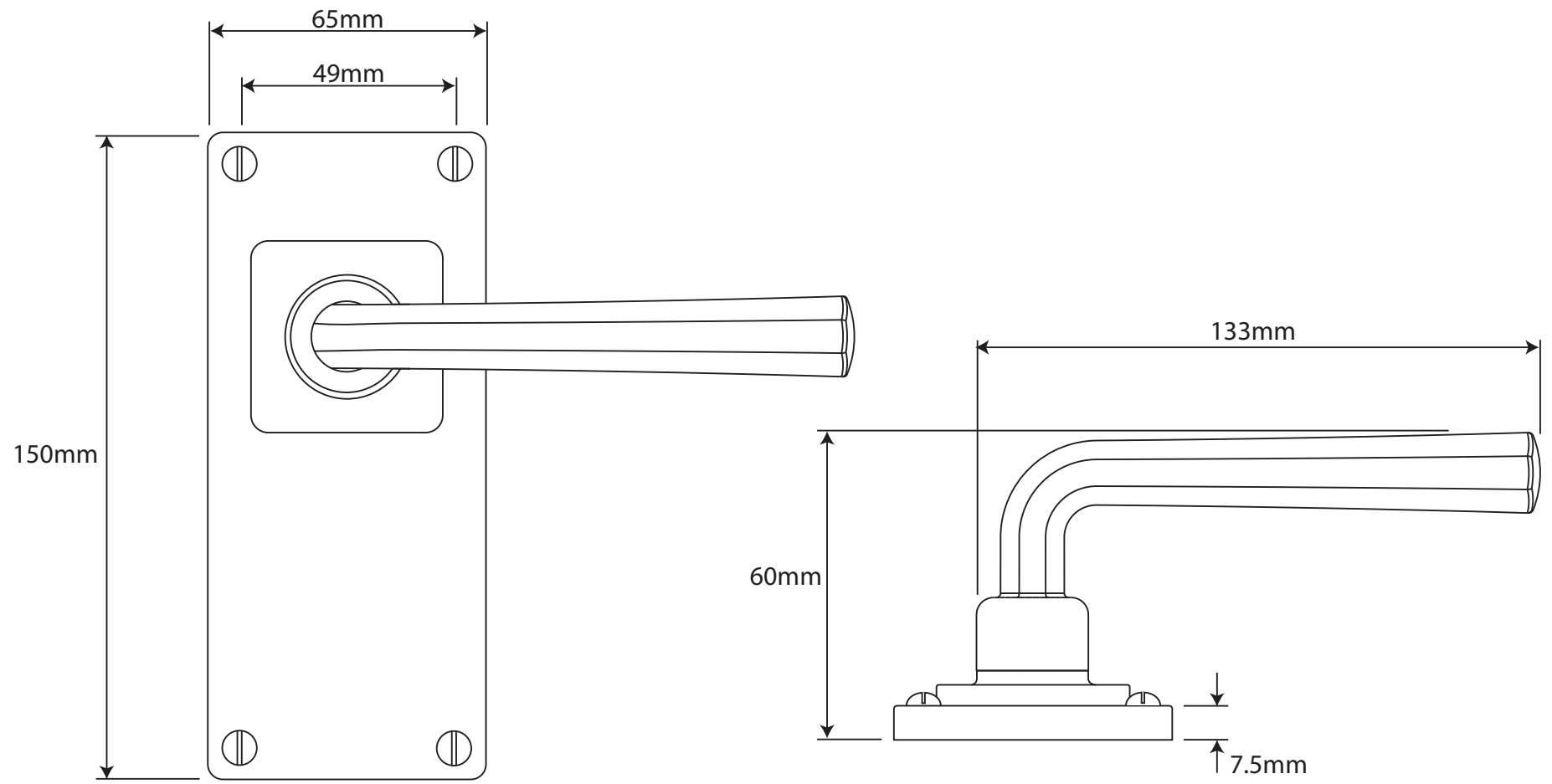


P/N. FD306  
 ALL DIMENSIONS IN MM UNLESS STATED  
 THE CONTENTS OF THIS DRAWING ARE COPYRIGHT AND SHOULD NOT BE REPRODUCED WITHOUT THE PERMISSION OF DJH ENGINEERING



|              |             |                 |   |   | QTY                  |
|--------------|-------------|-----------------|---|---|----------------------|
|              |             |                 | <b>DESCRIPTION</b>                                      |   | <b>DRG.</b> D. Urwin |
|              |             |                 | FD306 Tunstall Door Lever Jesmond Long Latch Backplate. |   | <b>DATE</b> 19/09/18 |
| 1            | 19/09/18    |                 | <b>LT REF.</b>  | H:\Finess & Stonebridge Handle Hardware\Finesse\ Dim Dwgs\FD306.pdf | <b>SCALE</b> N/A     |
| <b>ISSUE</b> | <b>DATE</b> | <b>REVISION</b> | <b>MATL.</b>  | Pewter  | <b>CODE</b> FD306    |