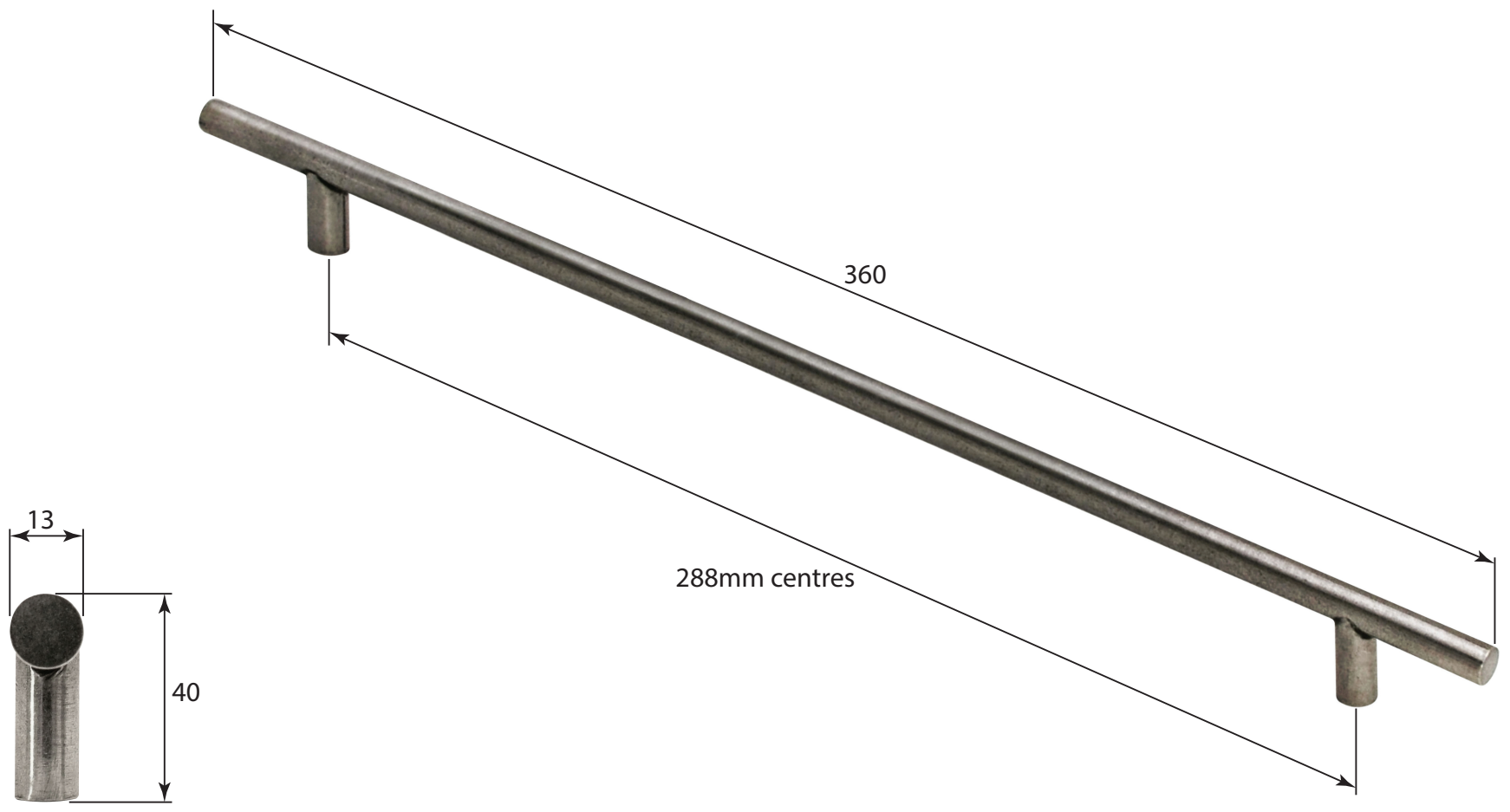


P/N. BH015

ALL DIMENSIONS IN  
MM UNLESS STATED

THE CONTENTS OF THIS DRAWING ARE COPYRIGHT AND SHOULD NOT BE  
REPRODUCED WITHOUT THE PERMISSION OF DJH ENGINEERING



|              |             |                 |                |  |  | QTY          |          |
|--------------|-------------|-----------------|----------------|--|--|--------------|----------|
|              |             |                 |                | <b>DESCRIPTION</b>   |  | <b>DRG.</b>  | D. Urwin |
|              |             |                 |                | BH015 Brompton Bar Handle (288mm centres).                         |  | <b>DATE</b>  | 06/09/18 |
| 1            | 06/09/18    |                 | <b>LT REF.</b> | H:\Finess & Stonebridge Handle Hardware\Finesse\Dim Dwgs\BH015.pdf |  | <b>SCALE</b> | N/A      |
| <b>ISSUE</b> | <b>DATE</b> | <b>REVISION</b> | <b>MATL.</b>   | Pewter   |  | <b>CODE</b>  | BH015    |