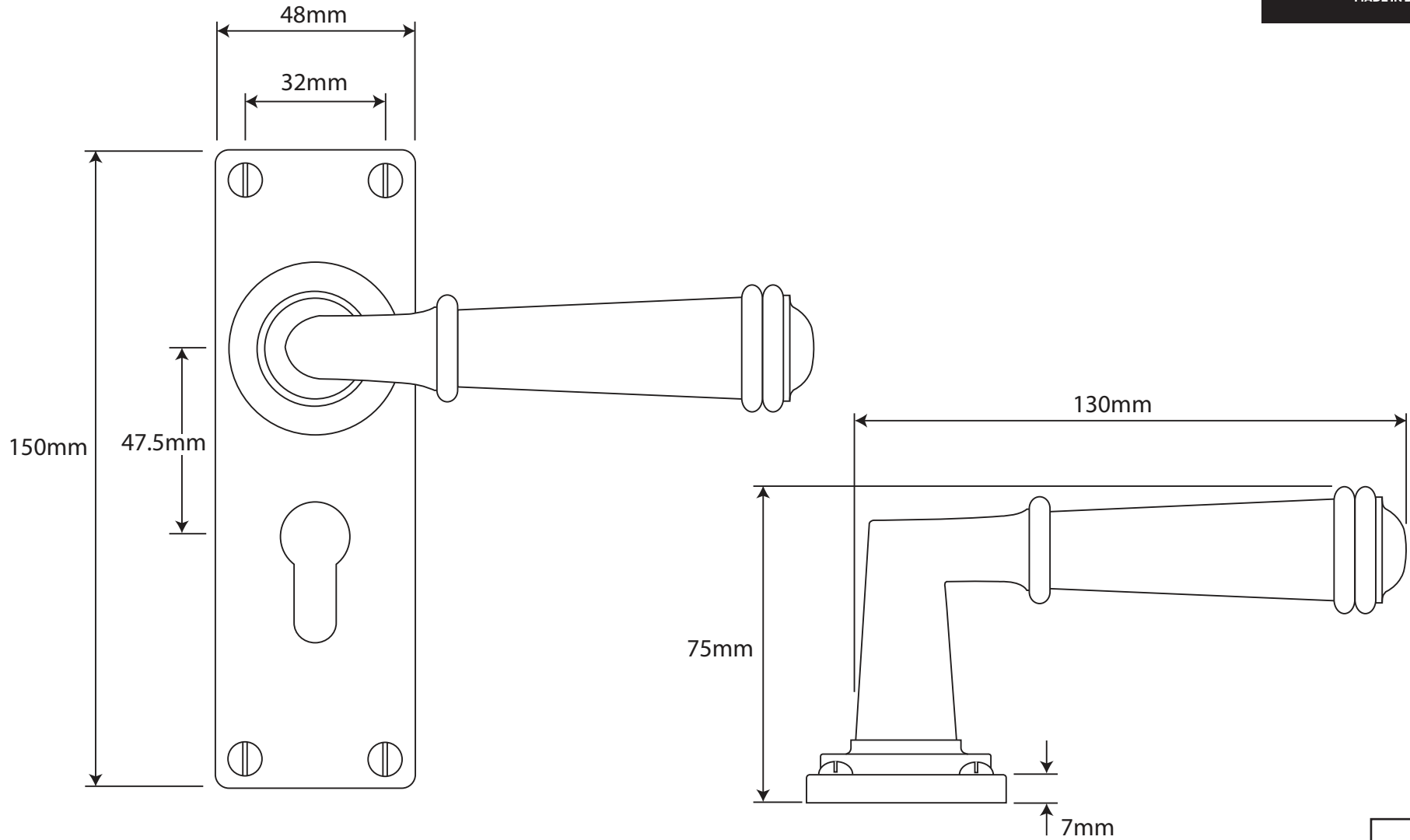


P/N. FD005E4 ALL DIMENSIONS IN MM UNLESS STATED
 THE CONTENTS OF THIS DRAWING ARE COPYRIGHT AND SHOULD NOT BE REPRODUCED WITHOUT THE PERMISSION OF DJH ENGINEERING



| | | | | | QTY | |
|--------------|-------------|-----------------|---|--|--------------|----------|
| | | | DESCRIPTION | | DRG. | D. Urwin |
| | | | FD005E4 Durham Door Lever Euro Lock/Keyhole Backplate (47.5mm centres). | | DATE | 20/09/18 |
| 1 | 20/09/18 | | LT REF. | H:\Finesse & Stonebridge Handle Hardware\Finesse\ Dim Dwgs\FD005E4.pdf | SCALE | N/A |
| ISSUE | DATE | REVISION | MATL. | Pewter | CODE | FD005E4 |