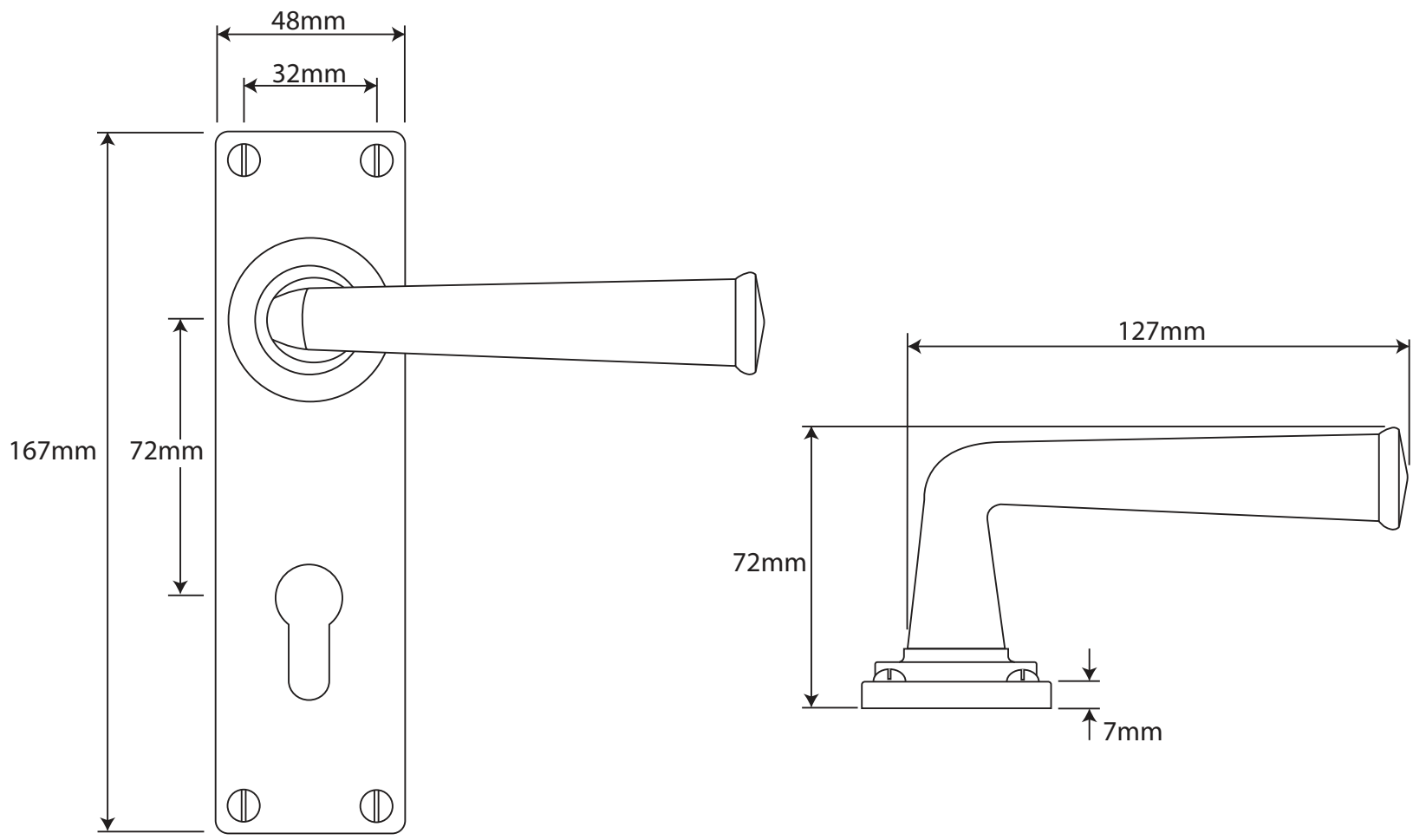


P/N. FD013E7    ALL DIMENSIONS IN MM UNLESS STATED  
 THE CONTENTS OF THIS DRAWING ARE COPYRIGHT AND SHOULD NOT BE REPRODUCED WITHOUT THE PERMISSION OF DJH ENGINEERING



|              |             |                 |   |  | QTY                  |
|--------------|-------------|-----------------|---|--|----------------------|
|              |             |                 | <b>DESCRIPTION</b>  |  | <b>DRG.</b> D. Urwin |
|              |             |                 | FD013E7 Allendale Door Lever Euro Lock/Keyhole Backplate (72mm lock centres). |  | <b>DATE</b> 14/09/18 |
| 1            | 14/09/18    |                 | <b>LT REF.</b>  | H:\Finesse & Stonebridge Handle Hardware\Finesse\ Dim Dwgs\FD013E7.pdf | <b>SCALE</b> N/A     |
| <b>ISSUE</b> | <b>DATE</b> | <b>REVISION</b> | <b>MATL.</b>  | Pewter   | <b>CODE</b> FD013E7  |