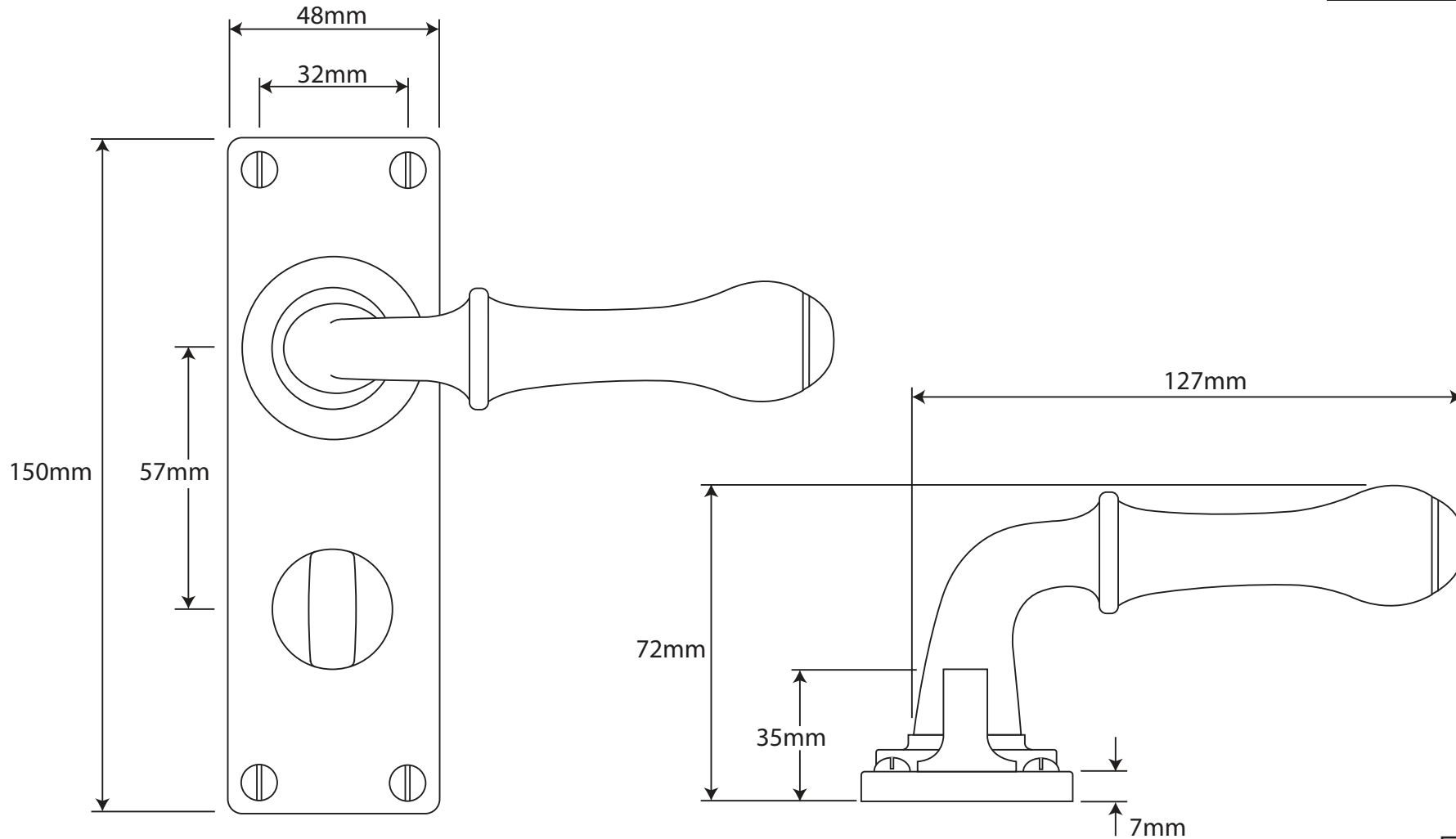


P/N. FD064

ALL DIMENSIONS IN
MM UNLESS STATED

THE CONTENTS OF THIS DRAWING ARE COPYRIGHT AND SHOULD NOT BE
REPRODUCED WITHOUT THE PERMISSION OF DJH ENGINEERING

Finesse
Fine Pewter Hardware
MADE IN BRITAIN



				QTY	
			DESCRIPTION	DRG.	D. Urwin
			FD064 Derwent Door Lever Bathroom Backplate.	DATE	20/09/18
1	20/09/18		LT REF. H:\Finesse & Stonebridge Handle Hardware\Finesse\ Dim Dwgs\FD064.pdf	SCALE	N/A
ISSUE	DATE	REVISION	MATL. Pewter	CODE	FD064