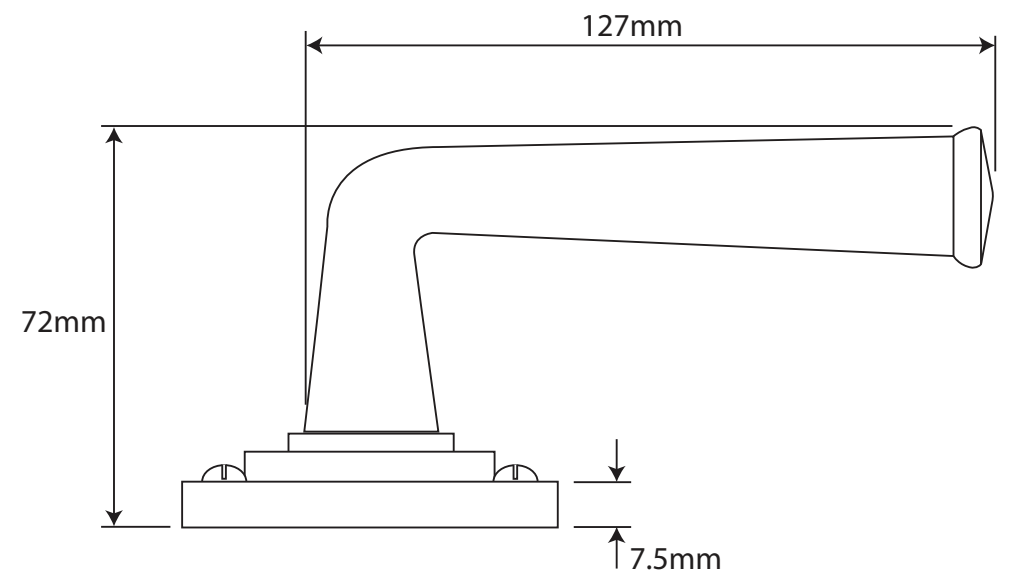
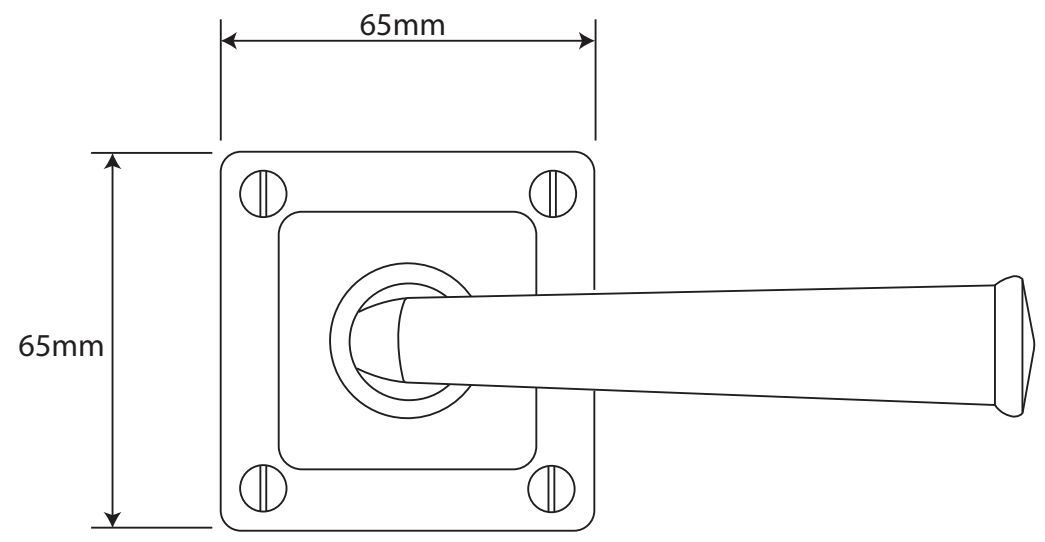


P/N. FD071 ALL DIMENSIONS IN
MM UNLESS STATED

THE CONTENTS OF THIS DRAWING ARE COPYRIGHT AND SHOULD NOT BE
REPRODUCED WITHOUT THE PERMISSION OF DJH ENGINEERING



					QTY
			DESCRIPTION		DRG. D. Urwin
			FD071 Allendale Door Lever Jesmond Rose Backplate.		DATE 17/09/18
1	17/09/18		LT REF.	H:\Finess & Stonebridge Handle Hardware\Finesse\ Dim Dwgs\FD071.pdf	SCALE N/A
ISSUE	DATE	REVISION	MATL.	Pewter	CODE FD071