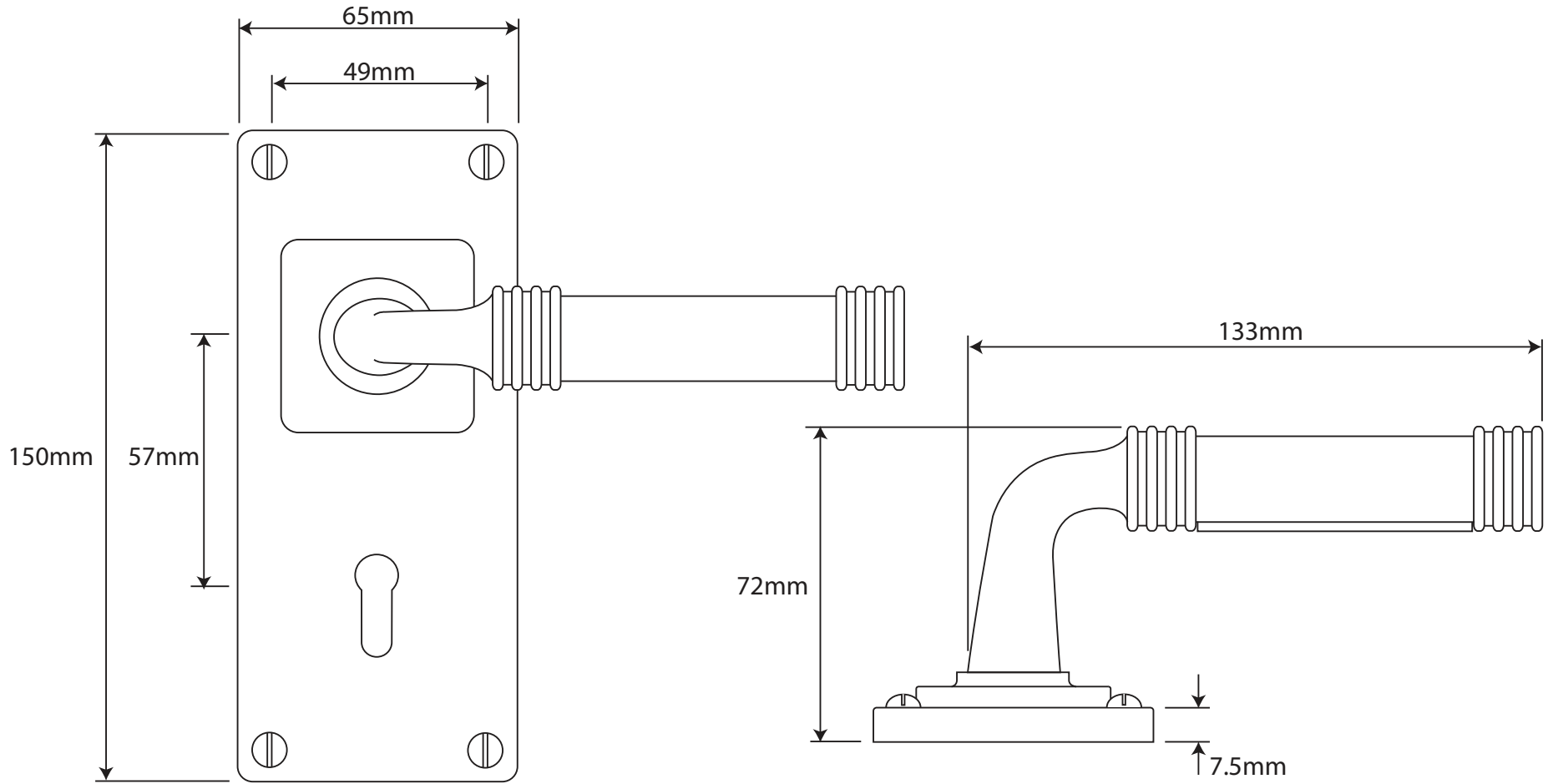


P/N. FD109B ALL DIMENSIONS IN MM UNLESS STATED

THE CONTENTS OF THIS DRAWING ARE COPYRIGHT AND SHOULD NOT BE REPRODUCED WITHOUT THE PERMISSION OF DJH ENGINEERING



					QTY	
			DESCRIPTION		DRG.	D. Urwin
			FD109B Jarrow Door Lever (Black Leather) on Jesmond Lock/Keyhole Backplate.		DATE	14/09/18
1	14/09/18		LT REF.	H:\Finess & Stonebridge Handle Hardware\Finesse\ Dim Dwgs\FD109B.pdf	SCALE	N/A
ISSUE	DATE	REVISION	MATL.	Pewter/Black Leather	CODE	FD109B