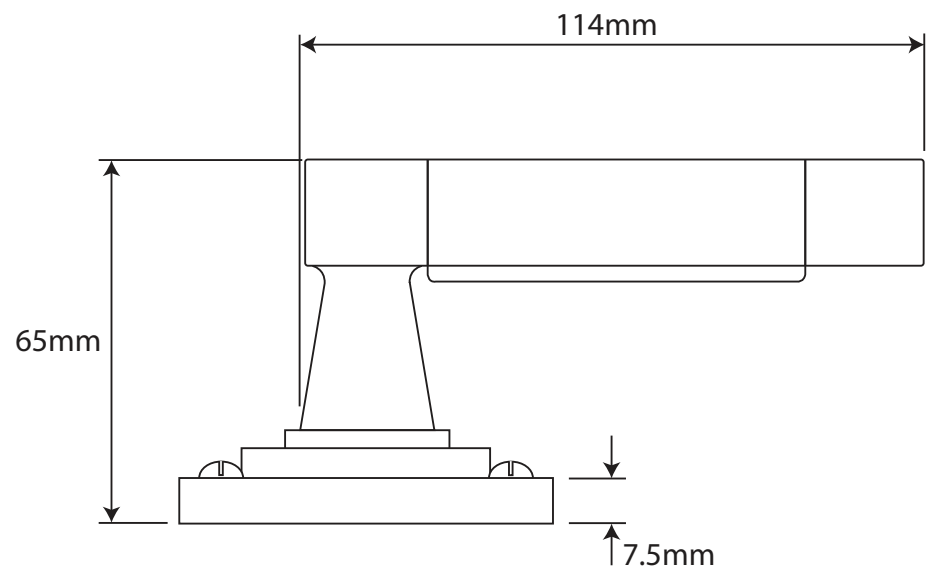
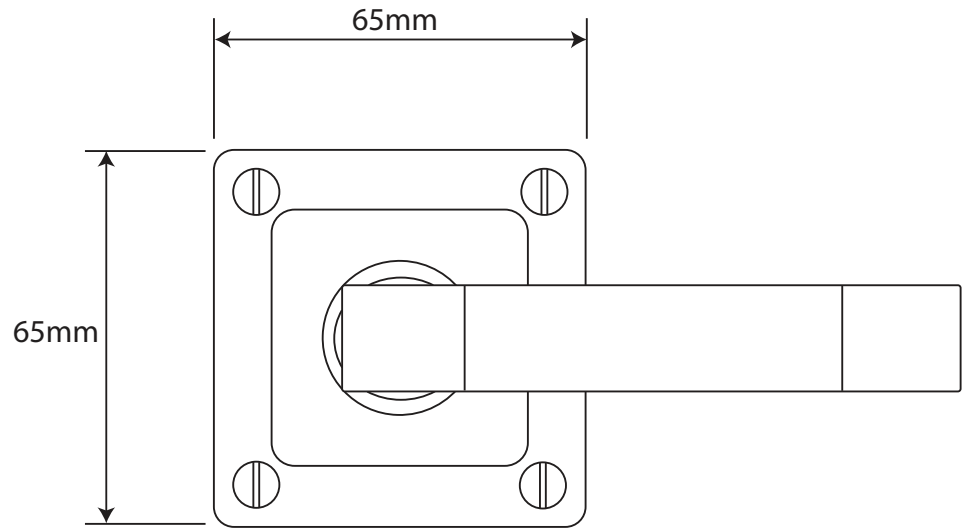


P/N. FD110B ALL DIMENSIONS IN MM UNLESS STATED

THE CONTENTS OF THIS DRAWING ARE COPYRIGHT AND SHOULD NOT BE REPRODUCED WITHOUT THE PERMISSION OF DJH ENGINEERING



					QTY
			DESCRIPTION		DRG. D. Urwin
			FD110B Jedburgh Door Lever (Black-Leather) on Jesmond Rose Backplate.		DATE 12/09/18
1	12/09/18		LT REF.	H:\Finess & Stonebridge Handle Hardware\Finesse\Dim Dwgs\FD110B.pdf	SCALE N/A
ISSUE	DATE	REVISION	MATL.	Pewter/Black-Leather	CODE FD110B