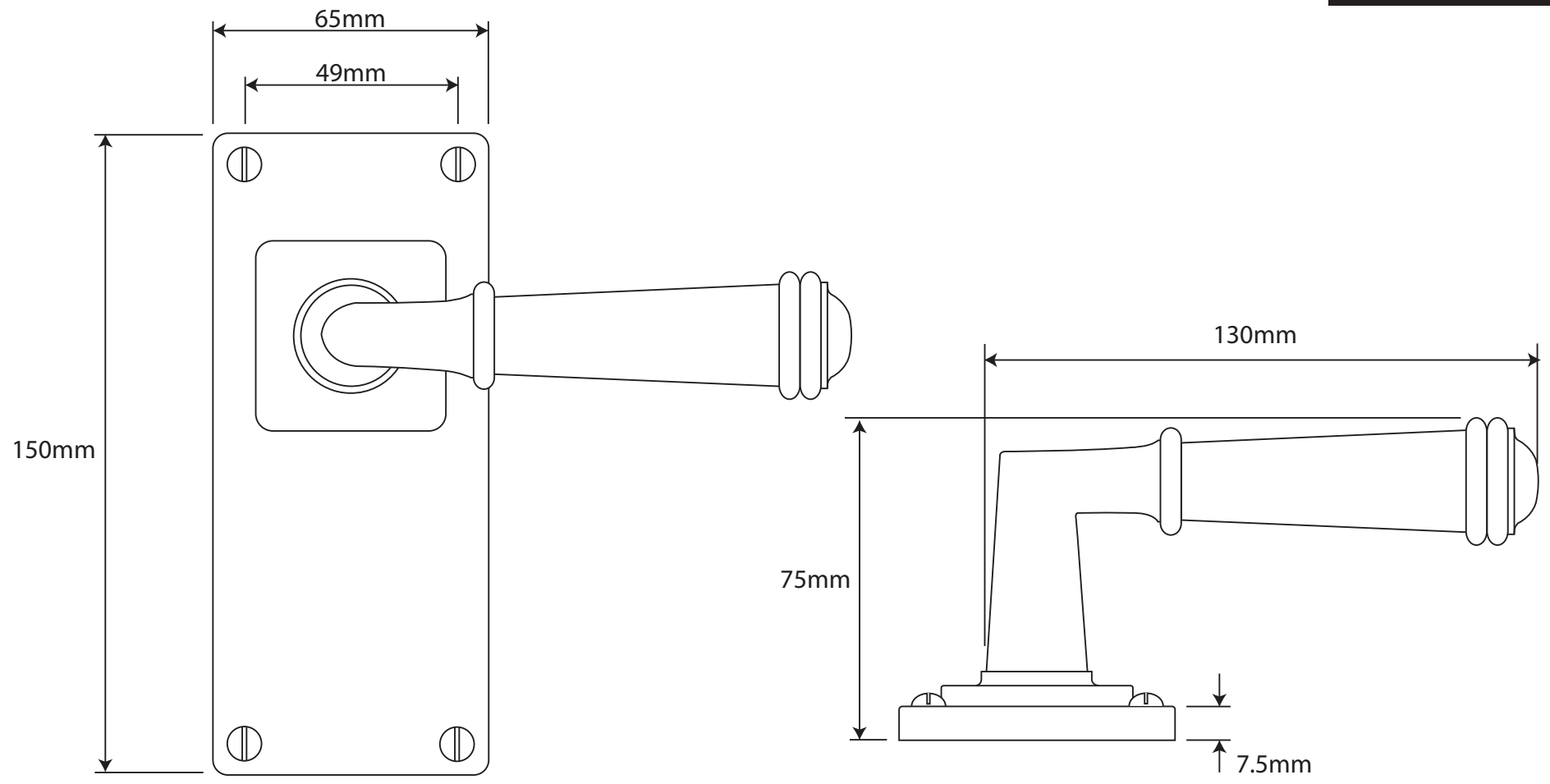


P/N. FD114 ALL DIMENSIONS IN
MM UNLESS STATED

THE CONTENTS OF THIS DRAWING ARE COPYRIGHT AND SHOULD NOT BE
REPRODUCED WITHOUT THE PERMISSION OF DJH ENGINEERING



				QTY	
				DESCRIPTION	DRG.
				FD114 Durham Door Lever Long Latch Backplate.	D. Urwin
				DATE	20/09/18
1	20/09/18		LT REF.	H:\Finess & Stonebridge Handle Hardware\Finesse\ Dim Dwgs\FD114.pdf	SCALE
ISSUE	DATE	REVISION	MATL.	Pewter	N/A
					CODE
					FD114