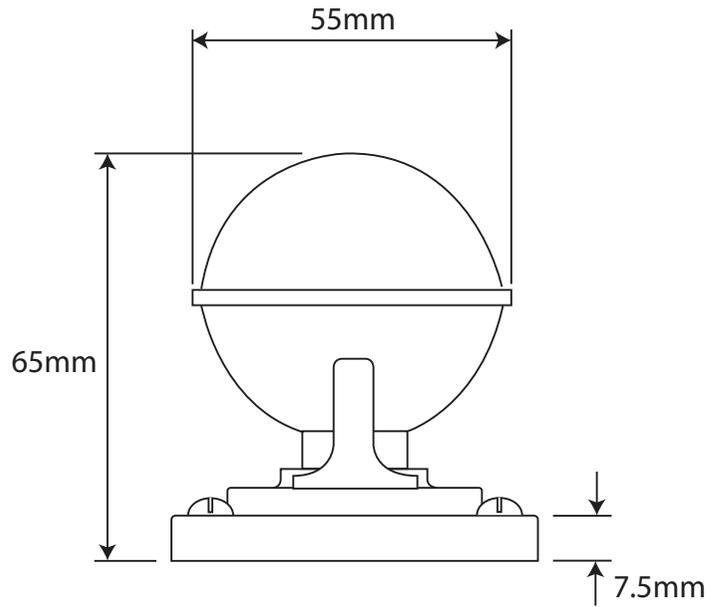
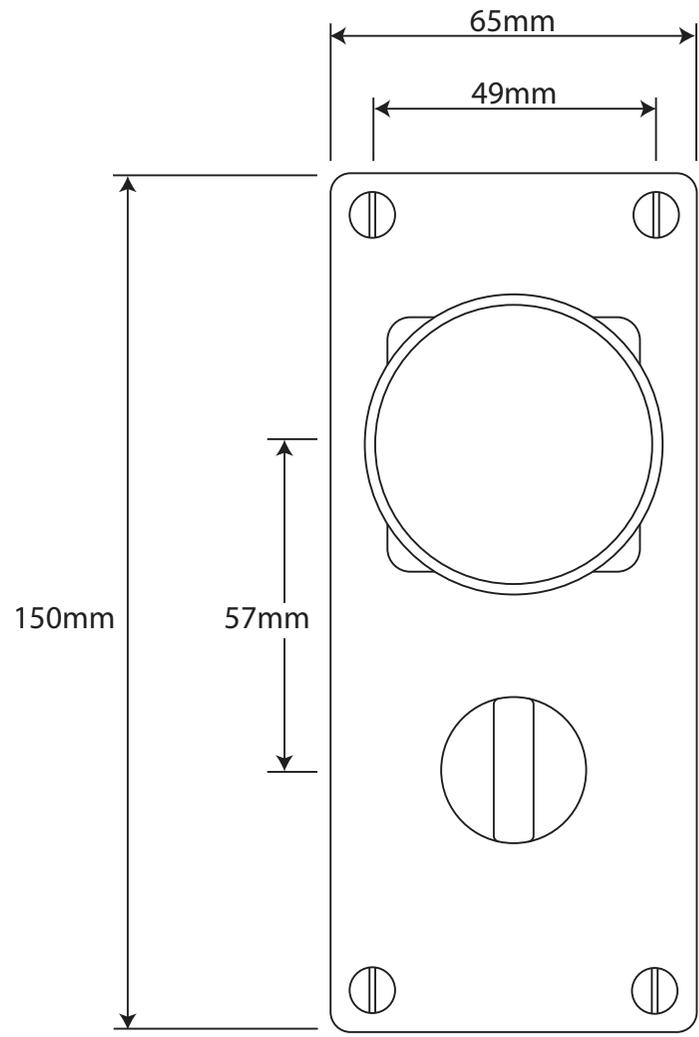


P/N. FD178 ALL DIMENSIONS IN MM UNLESS STATED

THE CONTENTS OF THIS DRAWING ARE COPYRIGHT AND SHOULD NOT BE REPRODUCED WITHOUT THE PERMISSION OF DJH ENGINEERING



					QTY	
			DESCRIPTION		DRG.	D. Urwin
			FD178 Pelton Door Knob on Jesmond Bathroom Backplate.		DATE	10/09/18
1	10/09/18		LT REF.	H:\Finesse & Stonebridge Handle Hardware\Finesse\Dim Dwgs\FD178.pdf	SCALE	N/A
ISSUE	DATE	REVISION	MATL.	Pewter	CODE	FD178