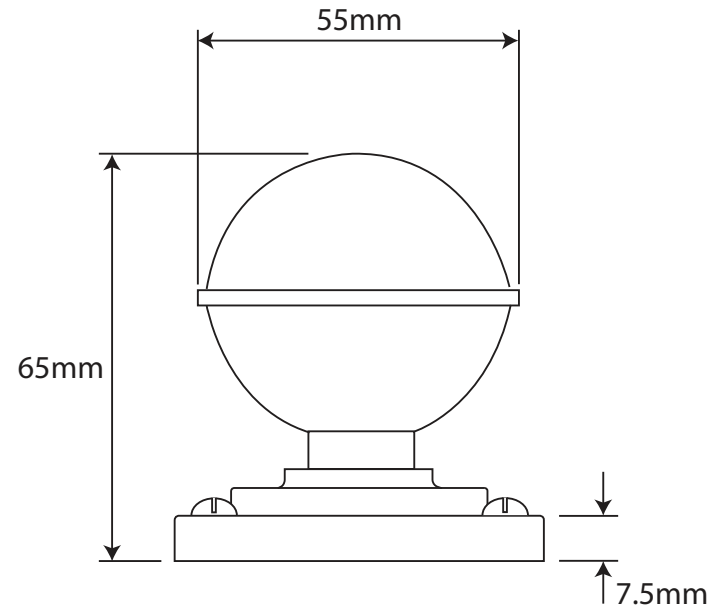
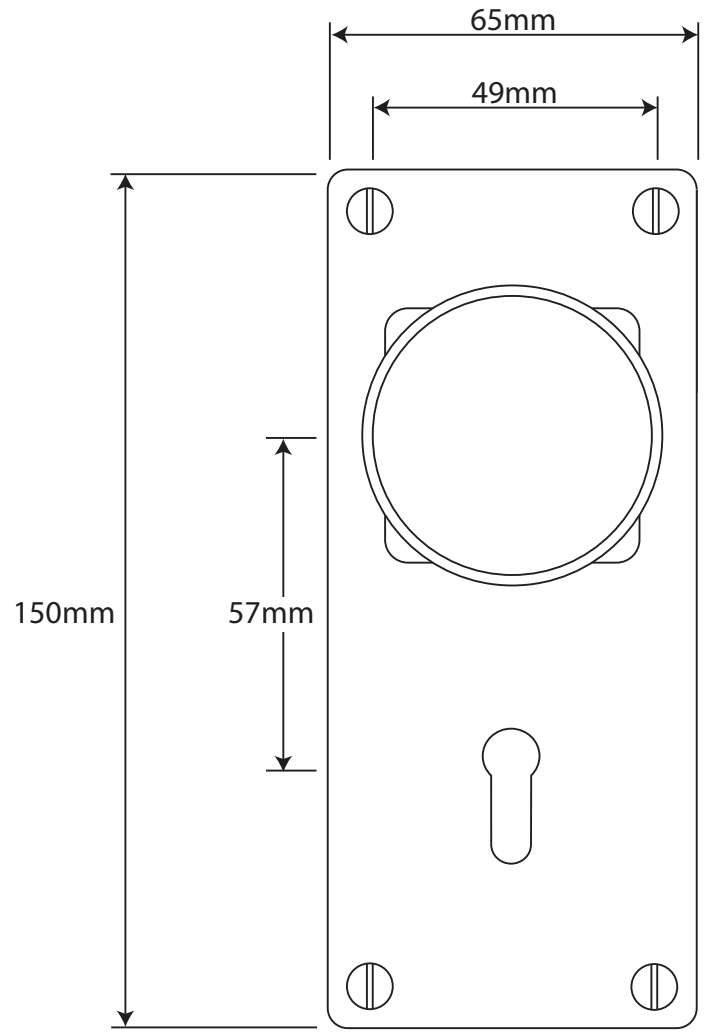


P/N. FD179

**ALL DIMENSIONS IN MM UNLESS STATED**

THE CONTENTS OF THIS DRAWING ARE COPYRIGHT AND SHOULD NOT BE REPRODUCED WITHOUT THE PERMISSION OF DJH ENGINEERING



					QTY
			<b>DESCRIPTION</b>		D. Urwin
			FD179 Pelton Door Knob on Jesmond Lock/Keyhole Backplate.		10/09/18
1	10/09/18		<b>LT REF.</b>	H:\Finess & Stonebridge Handle Hardware\Finesse\Dim Dwgs\FD179.pdf	N/A
<b>ISSUE</b>	<b>DATE</b>	<b>REVISION</b>	<b>MATL.</b>	Pewter	<b>CODE</b> FD179