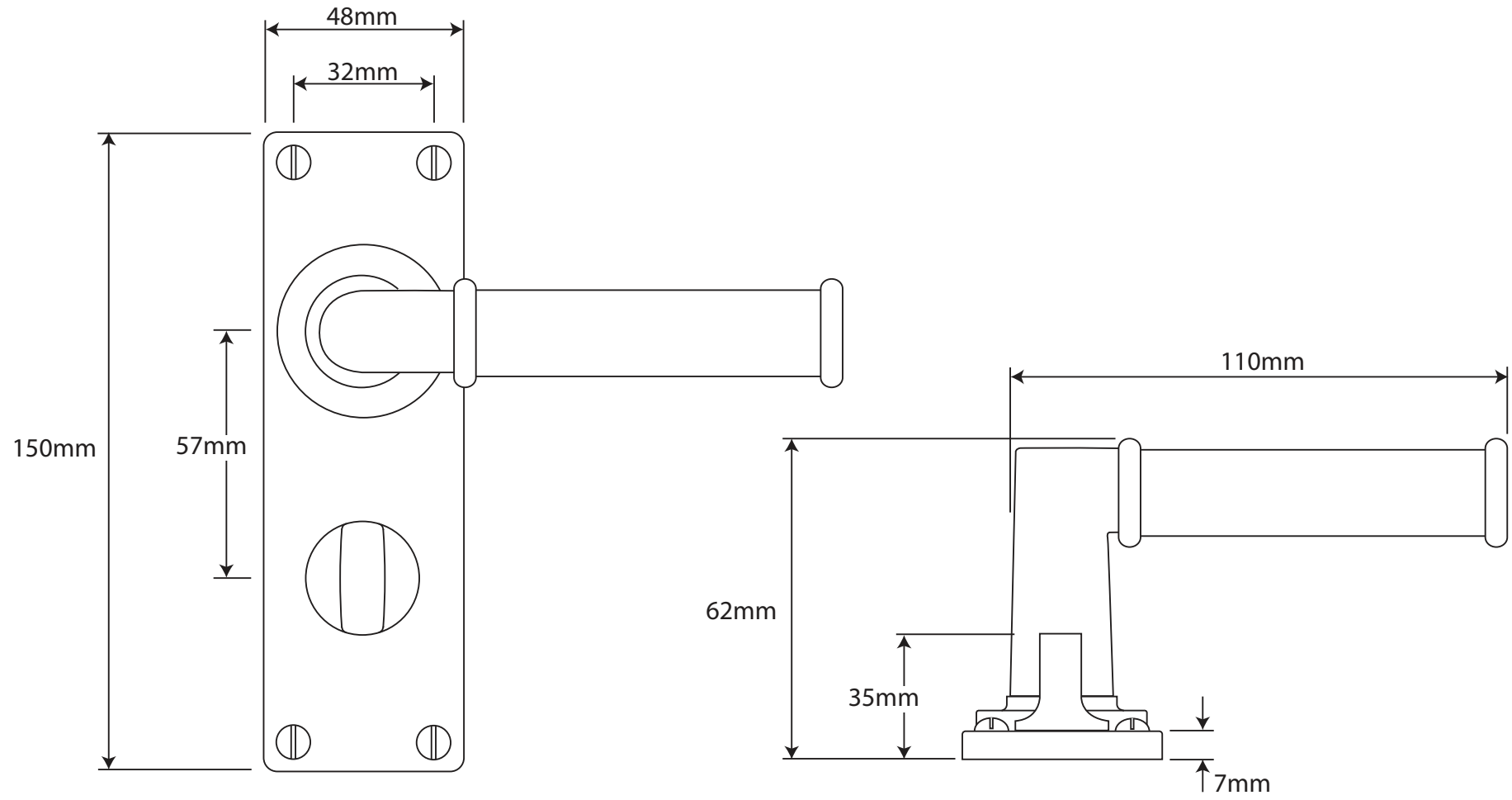


P/N. FD182

ALL DIMENSIONS IN
MM UNLESS STATED

THE CONTENTS OF THIS DRAWING ARE COPYRIGHT AND SHOULD NOT BE
REPRODUCED WITHOUT THE PERMISSION OF DJH ENGINEERING



					QTY
			DESCRIPTION	DRG.	D. Urwin
			FD182 Wexford Door Lever Bathroom Backplate.	DATE	17/09/18
1	17/09/18		LT REF.	SCALE	N/A
ISSUE	DATE	REVISION	MATL.	CODE	FD182
			H:\Finesse & Stonebridge Handle Hardware\Finesse\ Dim Dwgs\FD182.pdf		
			Pewter		