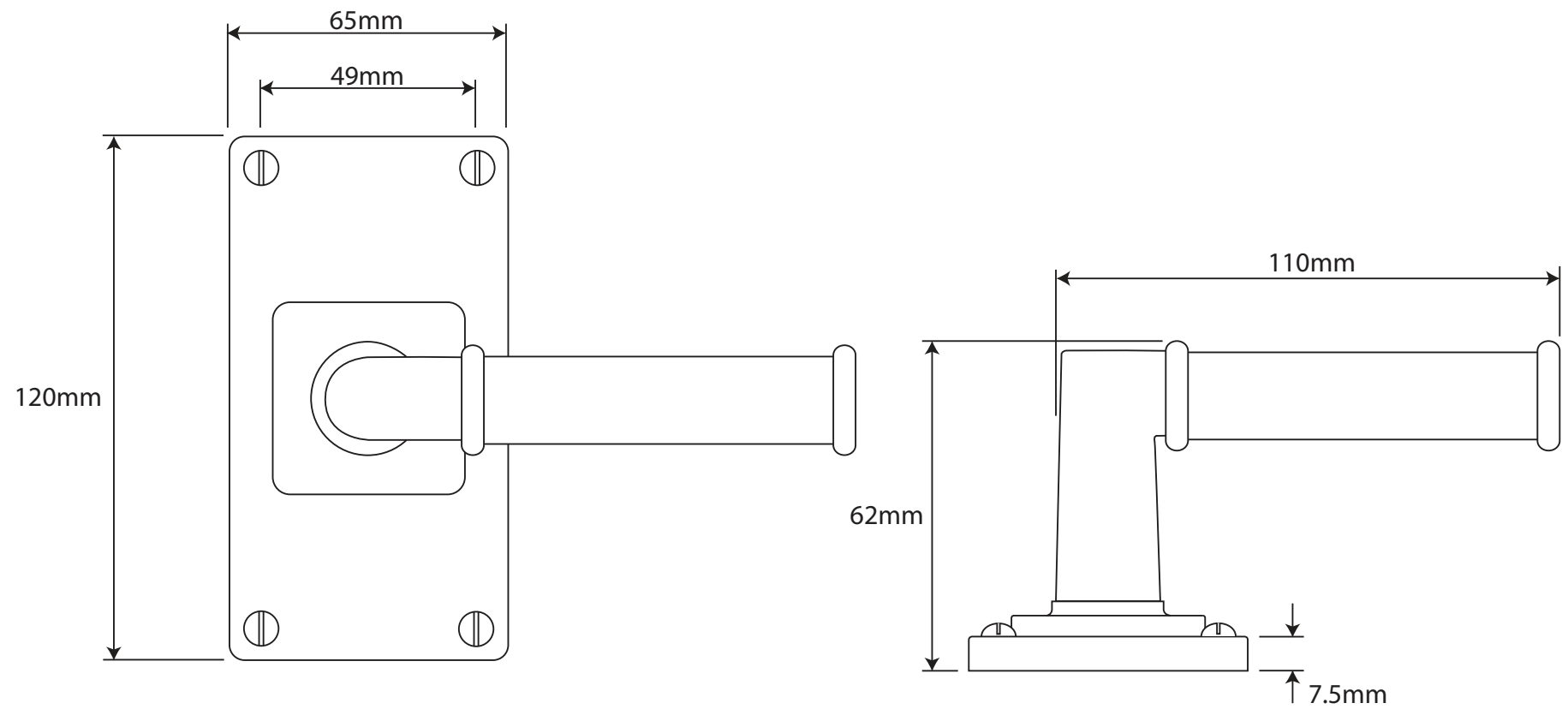


P/N. FD185 ALL DIMENSIONS IN
MM UNLESS STATED

THE CONTENTS OF THIS DRAWING ARE COPYRIGHT AND SHOULD NOT BE
REPRODUCED WITHOUT THE PERMISSION OF DJH ENGINEERING



					QTY	
			DESCRIPTION		DRG.	D. Urwin
			FD185 Wexford Door Lever Jesmond Short Latch Backplate.		DATE	17/09/18
1	17/09/18		LT REF.	H:\Finesse & Stonebridge Handle Hardware\Finesse\ Dim Dwgs\FD185.pdf	SCALE	N/A
ISSUE	DATE	REVISION	MATL.	Pewter	CODE	FD185