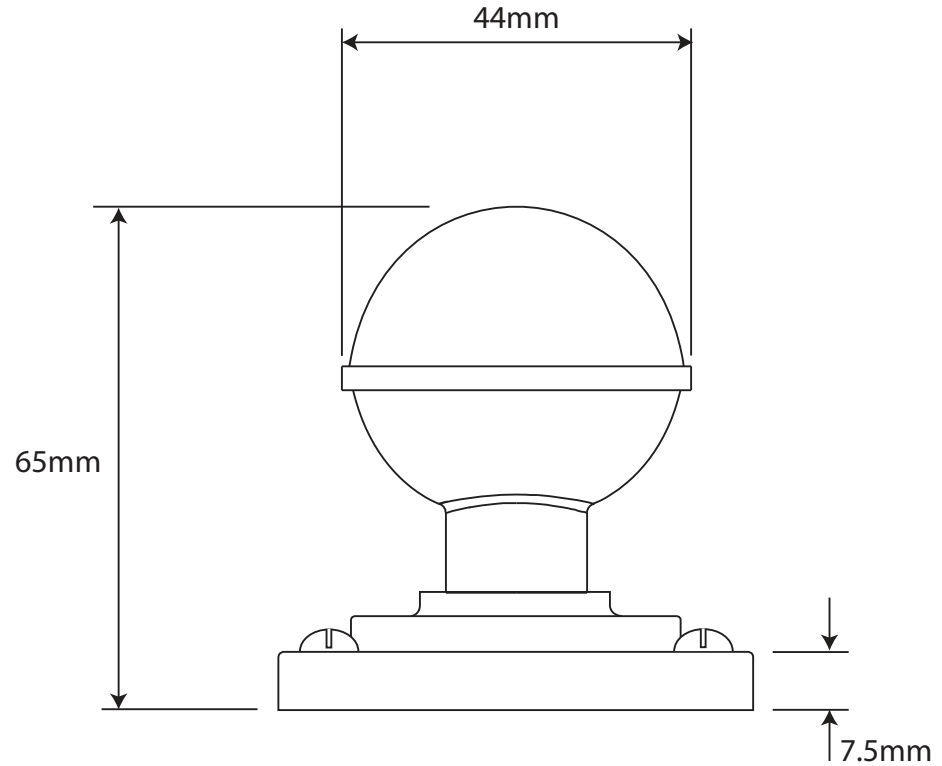
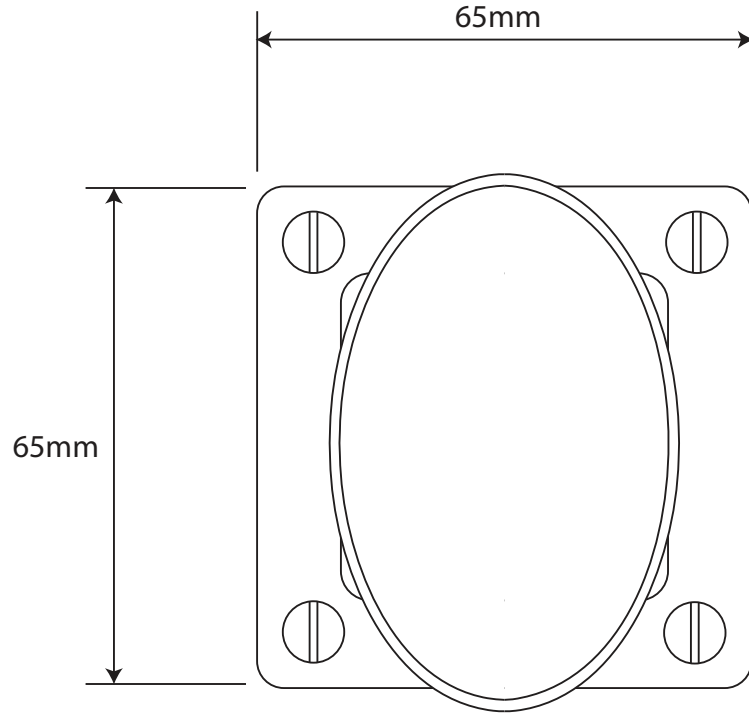


P/N. FD193

ALL DIMENSIONS IN  
MM UNLESS STATED

THE CONTENTS OF THIS DRAWING ARE COPYRIGHT AND SHOULD NOT BE  
REPRODUCED WITHOUT THE PERMISSION OF DJH ENGINEERING

*Finesse*  
Fine Pewter Hardware  
MADE IN BRITAIN



						QTY
				<b>DESCRIPTION</b>	<b>DRG.</b>	D. Urwin
				FD193 Lincoln Door Knob on Jesmond Rose Backplate.	<b>DATE</b>	10/09/18
1	10/09/18		<b>LT REF.</b>	H:\Finess & Stonebridge Handle Hardware\Finesse\Dim Dwgs\FD193.pdf	<b>SCALE</b>	N/A
<b>ISSUE</b>	<b>DATE</b>	<b>REVISION</b>	<b>MATL.</b>	Pewter	<b>CODE</b>	FD193