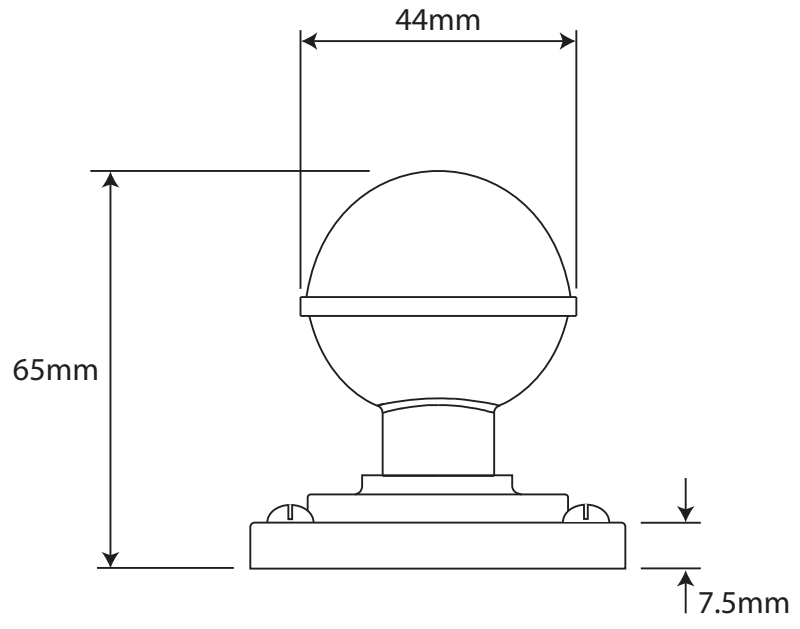
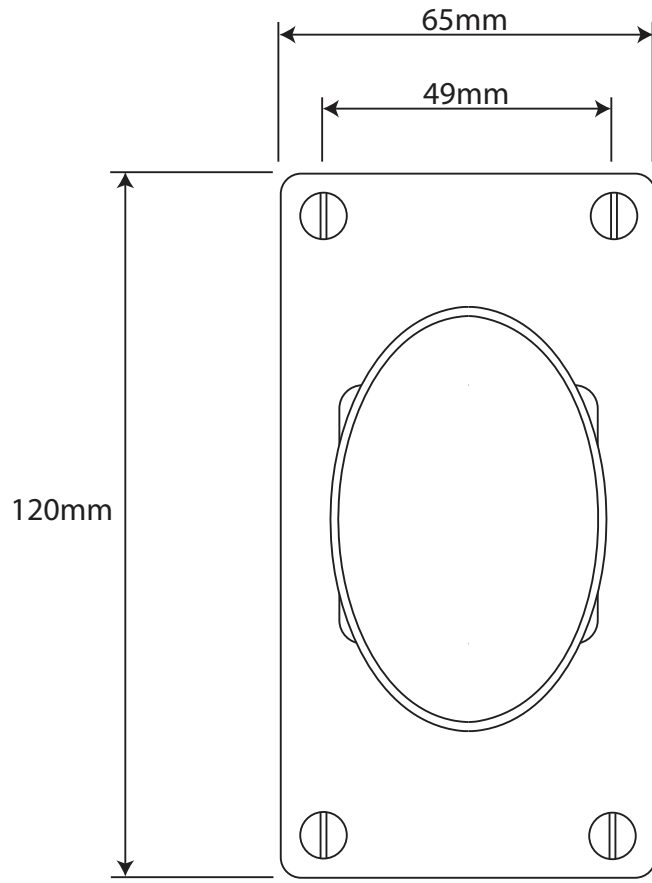


P/N. FD194      ALL DIMENSIONS IN MM UNLESS STATED

THE CONTENTS OF THIS DRAWING ARE COPYRIGHT AND SHOULD NOT BE REPRODUCED WITHOUT THE PERMISSION OF DJH ENGINEERING



					QTY
			<b>DESCRIPTION</b>		DRG.
			FD194 Lincoln Door Knob on Jesmond Small Latch Backplate.		DATE
1	11/09/18		<b>LT REF.</b>	H:\Finess & Stonebridge Handle Hardware\Finesse\Dim Dwgs\FD194.pdf	SCALE
<b>ISSUE</b>	<b>DATE</b>	<b>REVISION</b>	<b>MATL.</b>	Pewter	<b>CODE</b>
					D. Urwin
					11/09/18
					N/A
					FD194