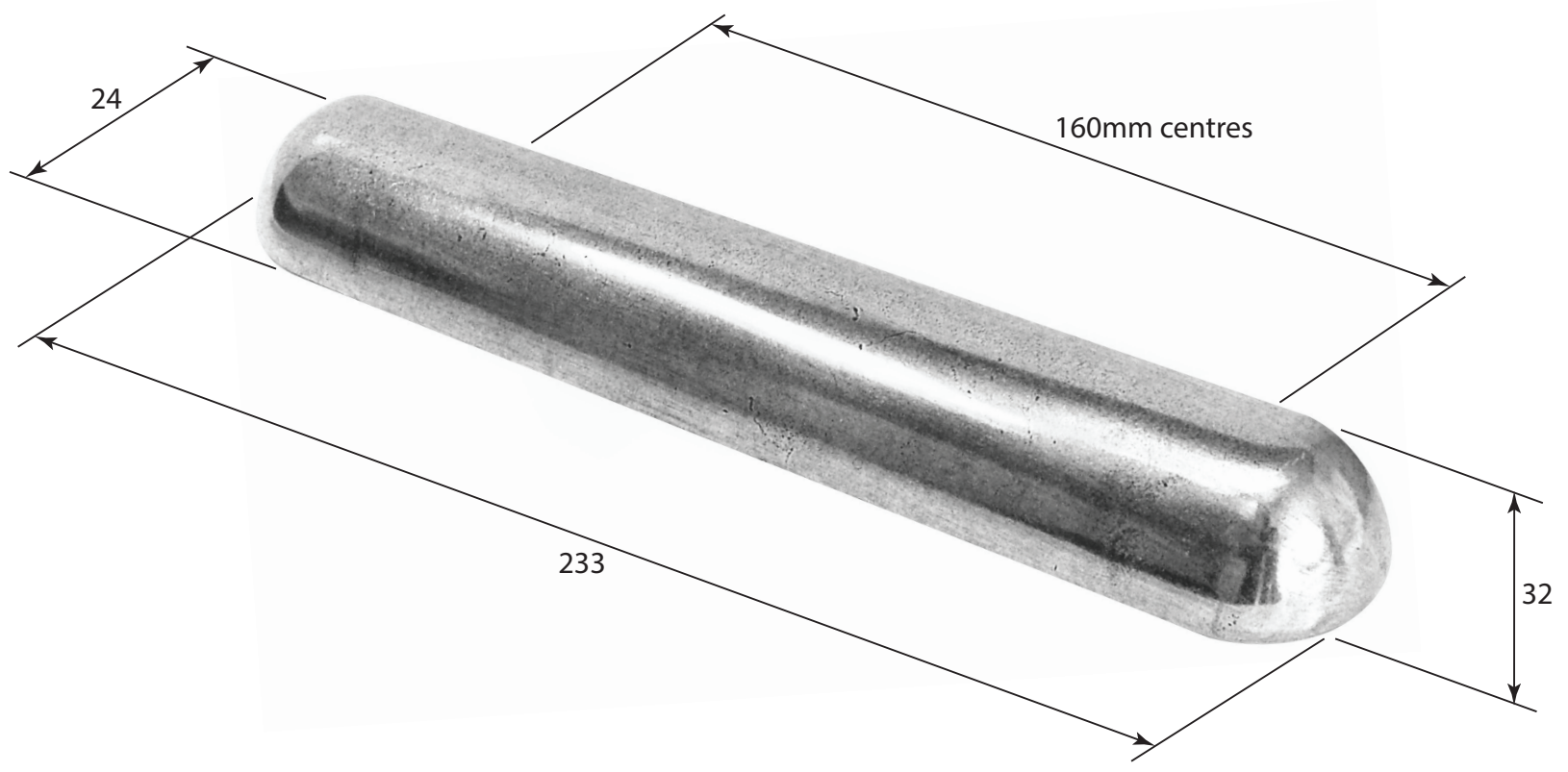


P/N. FD236

ALL DIMENSIONS IN  
MM UNLESS STATED

THE CONTENTS OF THIS DRAWING ARE COPYRIGHT AND SHOULD NOT BE  
REPRODUCED WITHOUT THE PERMISSION OF DJH ENGINEERING



					QTY
			<b>DESCRIPTION</b>		<b>DRG.</b>
			FD236 Bradley Cup Handle		D. Urwin
			<b>LT REF.</b>	H:\Finesse & Stonebridge Handle Hardware\Finesse\ Dim Dwgs\FD236pdf	<b>DATE</b>
			<b>MATL.</b>	Pewter	24/08/18
<b>ISSUE</b>	<b>DATE</b>	<b>REVISION</b>			<b>SCALE</b>
1	24/08/18				N/A
					<b>CODE</b>
					FD236