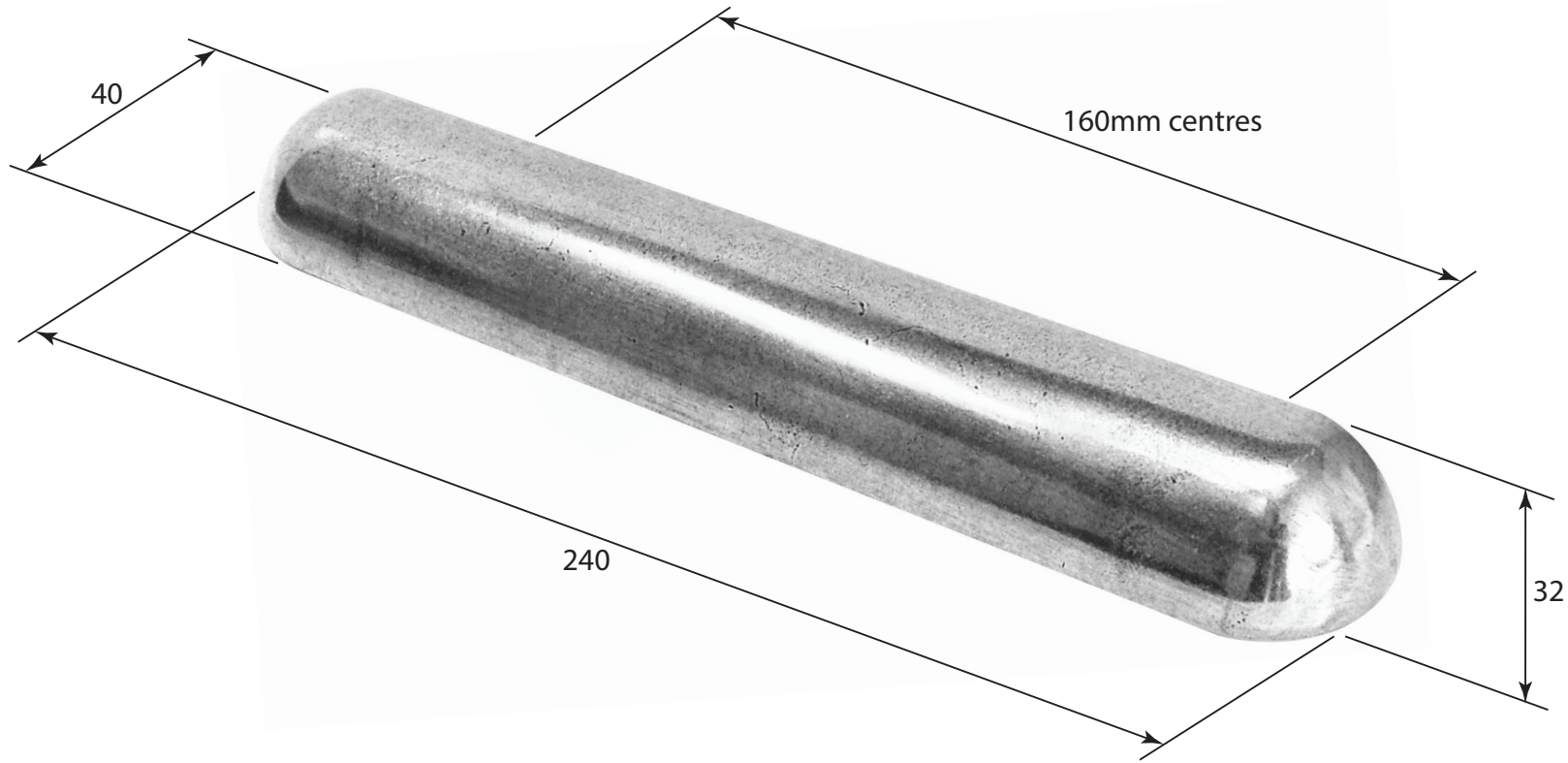


P/N. FD236

ALL DIMENSIONS IN  
MM UNLESS STATED

THE CONTENTS OF THIS DRAWING ARE COPYRIGHT AND SHOULD NOT BE  
REPRODUCED WITHOUT THE PERMISSION OF DJH ENGINEERING



						QTY	
				<b>DESCRIPTION</b>	<b>DRG.</b>	D. Urwin	
				FD236 Bradley Cup Handle	<b>DATE</b>	24/08/18	
1	24/08/18		<b>LT REF.</b>	H:\Finesse & Stonebridge Handle Hardware\Finesse\ Dim Dwgs\FD236pdf	<b>SCALE</b>	N/A	
<b>ISSUE</b>	<b>DATE</b>	<b>REVISION</b>	<b>MATL.</b>	Pewter	<b>CODE</b>	FD236	