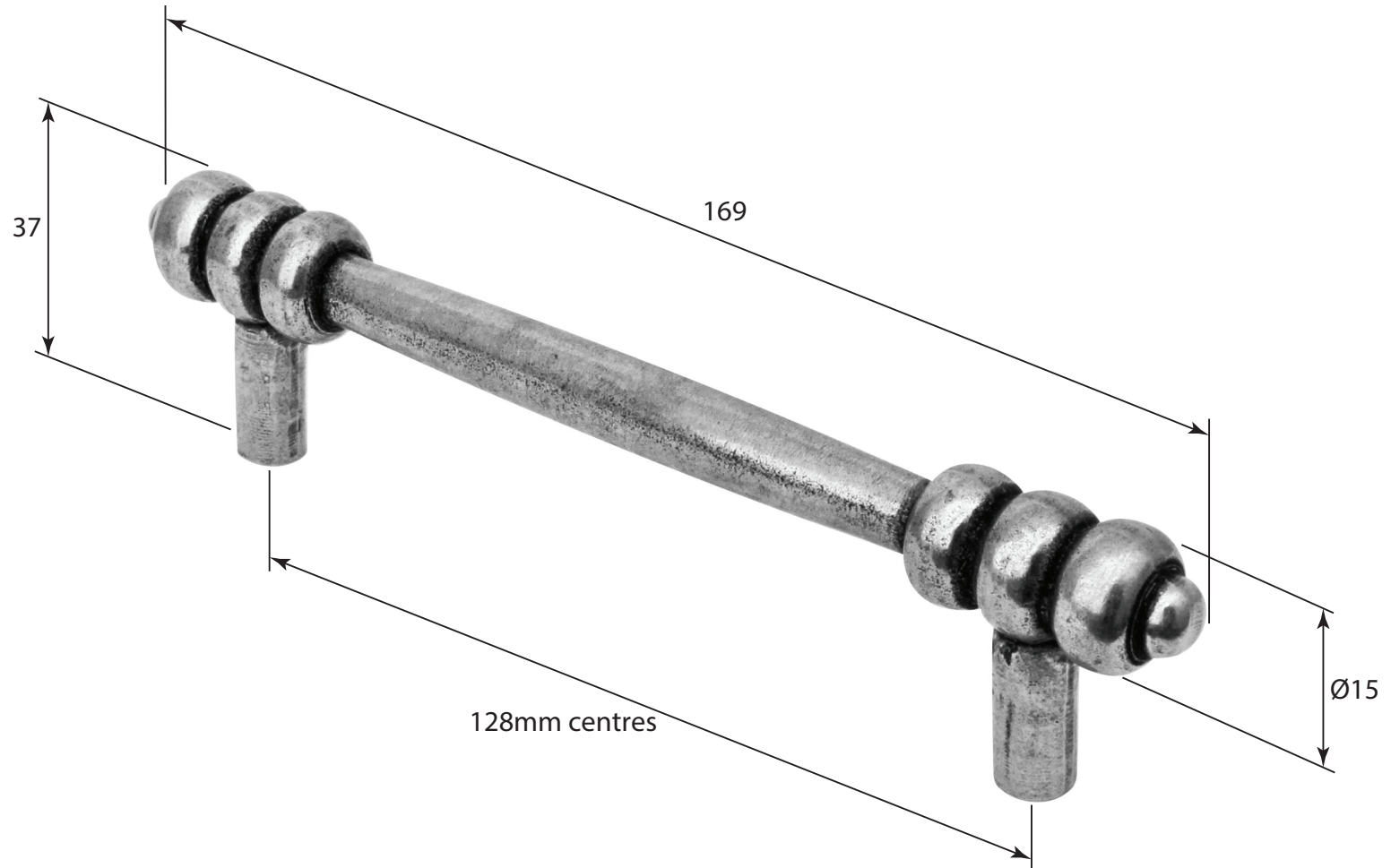


P/N. FD237  
 ALL DIMENSIONS IN MM UNLESS STATED  
 THE CONTENTS OF THIS DRAWING ARE COPYRIGHT AND SHOULD NOT BE REPRODUCED WITHOUT THE PERMISSION OF DJH ENGINEERING



									QTY
			<b>DESCRIPTION</b>				<b>DRG.</b>	D.Urwin	
			FD237 Alston Pull Handle (128mm centres)				<b>DATE</b>	03/09/18	
1	03/09/18		<b>LT REF.</b>	H:\Finess & Stonebridge Handle Hardware\Finesse\ Dim Dwgs\FD237.pdf			<b>SCALE</b>	N/A	
<b>ISSUE</b>	<b>DATE</b>	<b>REVISION</b>	<b>MATL.</b>	Pewter			<b>CODE</b>	FD237	