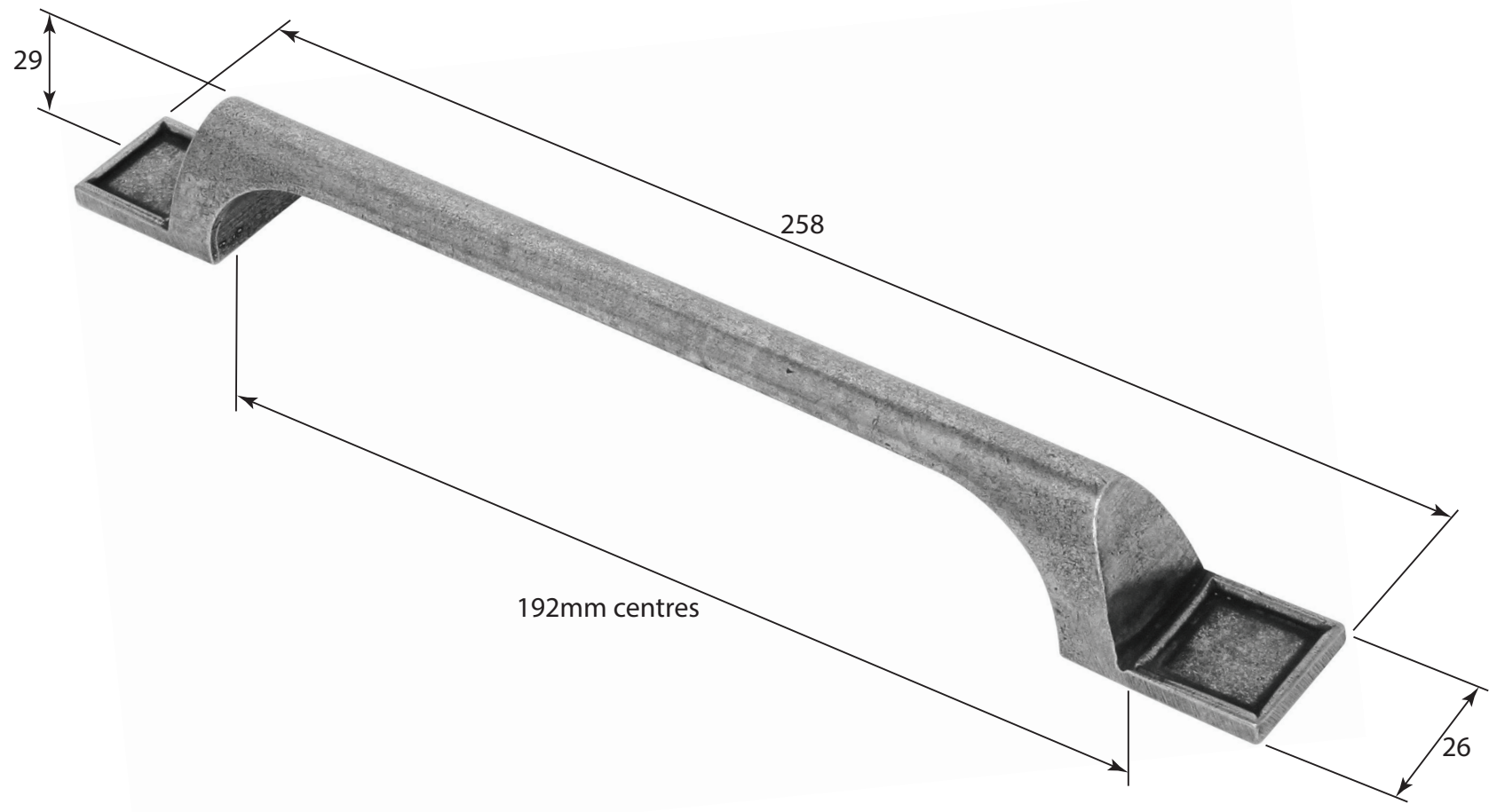


P/N. FD261
 ALL DIMENSIONS IN MM UNLESS STATED
 THE CONTENTS OF THIS DRAWING ARE COPYRIGHT AND SHOULD NOT BE REPRODUCED WITHOUT THE PERMISSION OF DJH ENGINEERING



				QTY	
			DESCRIPTION	DRG.	D. Urwin
			FD261 Grove Pull Handle (192mm centres)	DATE	03/09/18
1	03/09/18		LT REF.	SCALE	N/A
ISSUE	DATE	REVISION	MATL.	CODE	FD261
			H:\Finess & Stonebridge Handle Hardware\Finesse\ Dim Dwgs\FD261.pdf		
			Pewter		