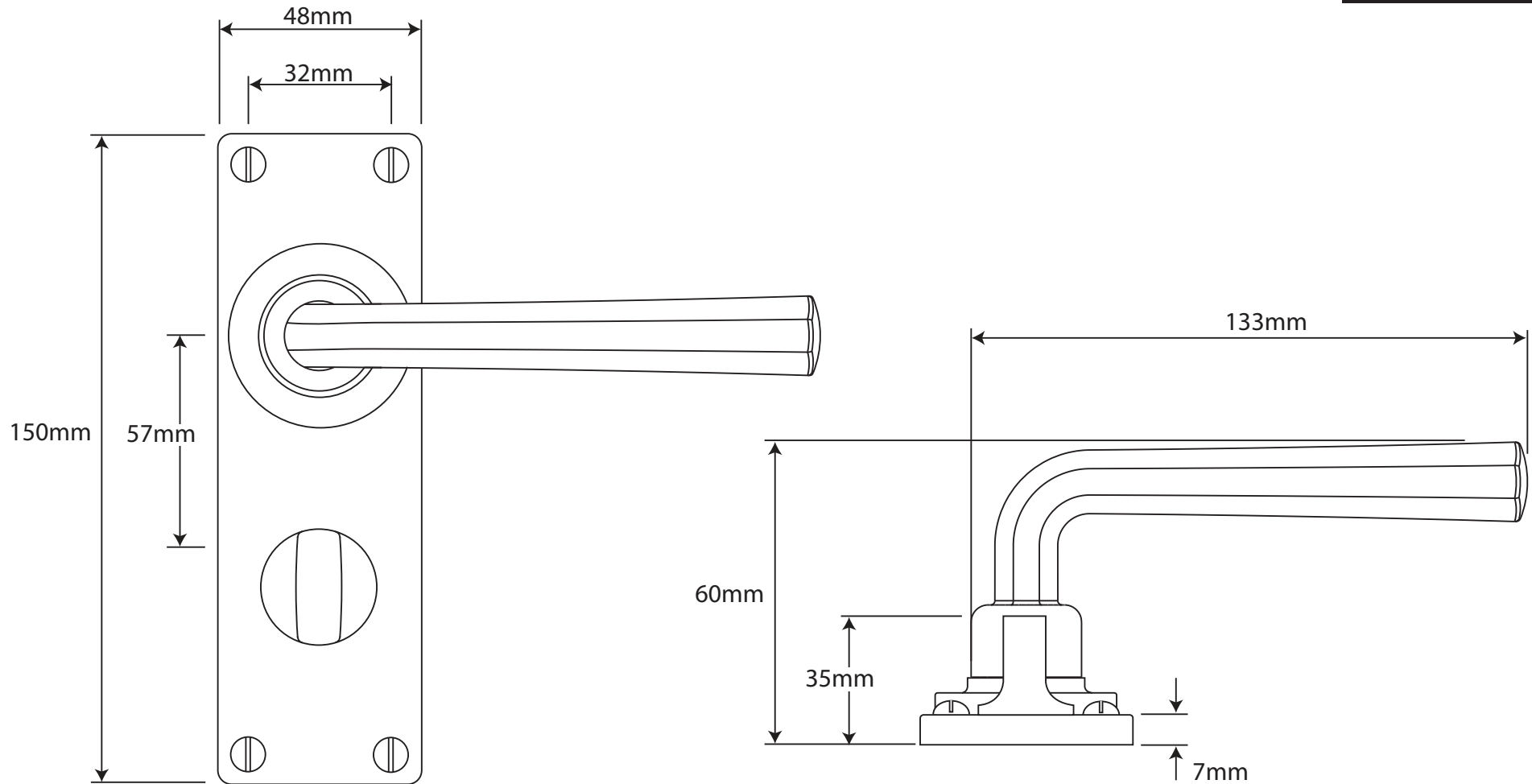


P/N. FD302      ALL DIMENSIONS IN MM UNLESS STATED

THE CONTENTS OF THIS DRAWING ARE COPYRIGHT AND SHOULD NOT BE REPRODUCED WITHOUT THE PERMISSION OF DJH ENGINEERING



					QTY
			<b>DESCRIPTION</b>	<b>DRG.</b>	D. Urwin
			FD302 Tunstall Door Lever Bathroom Backplate.	<b>DATE</b>	19/09/18
1	19/09/18		<b>LT REF.</b>	<b>SCALE</b>	N/A
<b>ISSUE</b>	<b>DATE</b>	<b>REVISION</b>	<b>MATL.</b>	<b>CODE</b>	FD302