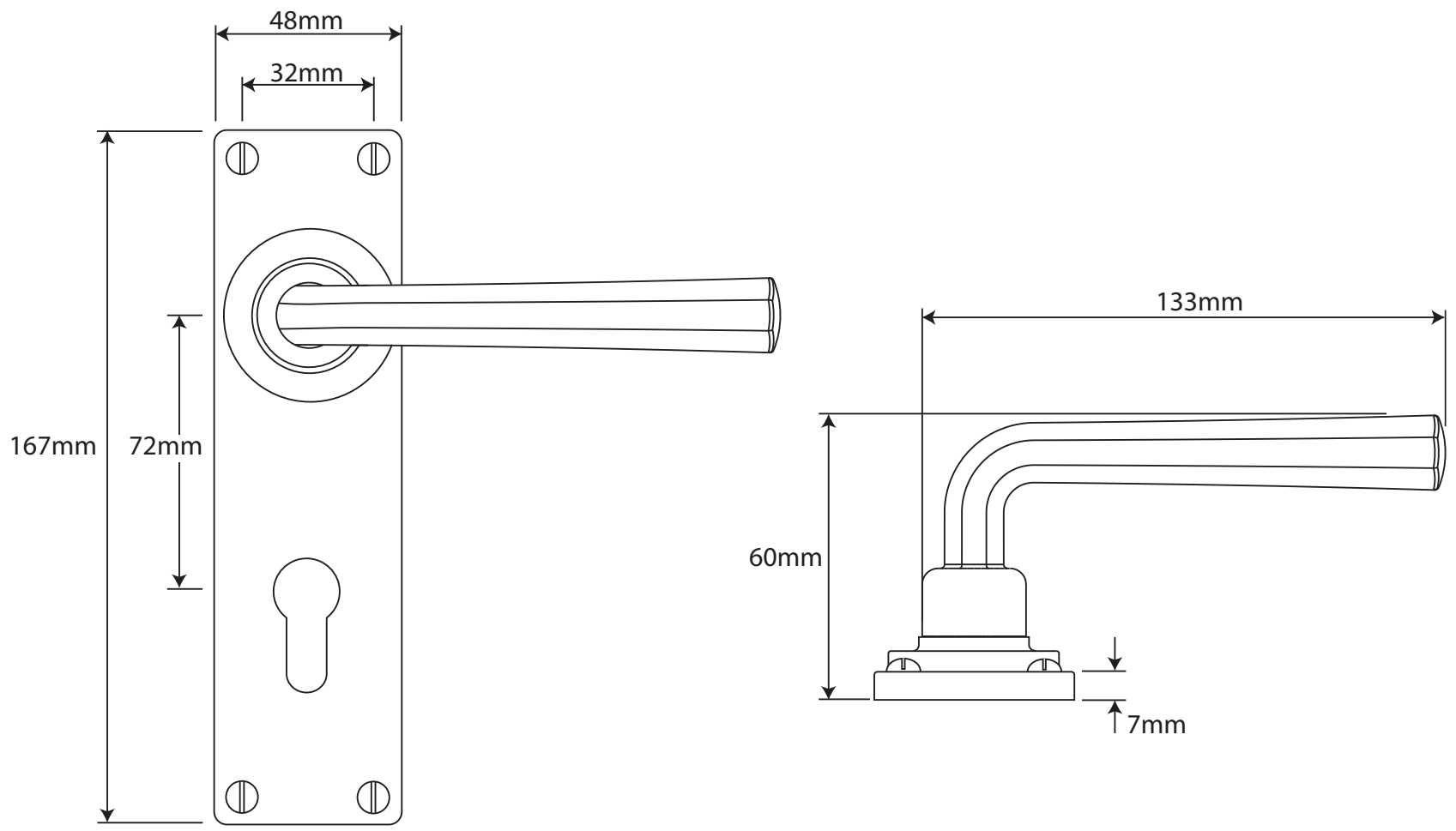


P/N. FD303E7 ALL DIMENSIONS IN MM UNLESS STATED
 THE CONTENTS OF THIS DRAWING ARE COPYRIGHT AND SHOULD NOT BE REPRODUCED WITHOUT THE PERMISSION OF DJH ENGINEERING



					QTY
			DESCRIPTION	DRG.	D. Urwin
			FD303E7 Tunstall Door Lever Euro Lock/Keyhole Backplate (72mm lock centres).	DATE	19/09/18
1	19/09/18		LT REF.	SCALE	N/A
ISSUE	DATE	REVISION	MATL.	CODE	FD303E7

H:\Finess & Stonebridge Handle Hardware\Finesse\ Dim Dwgs\FD303E7.pdf