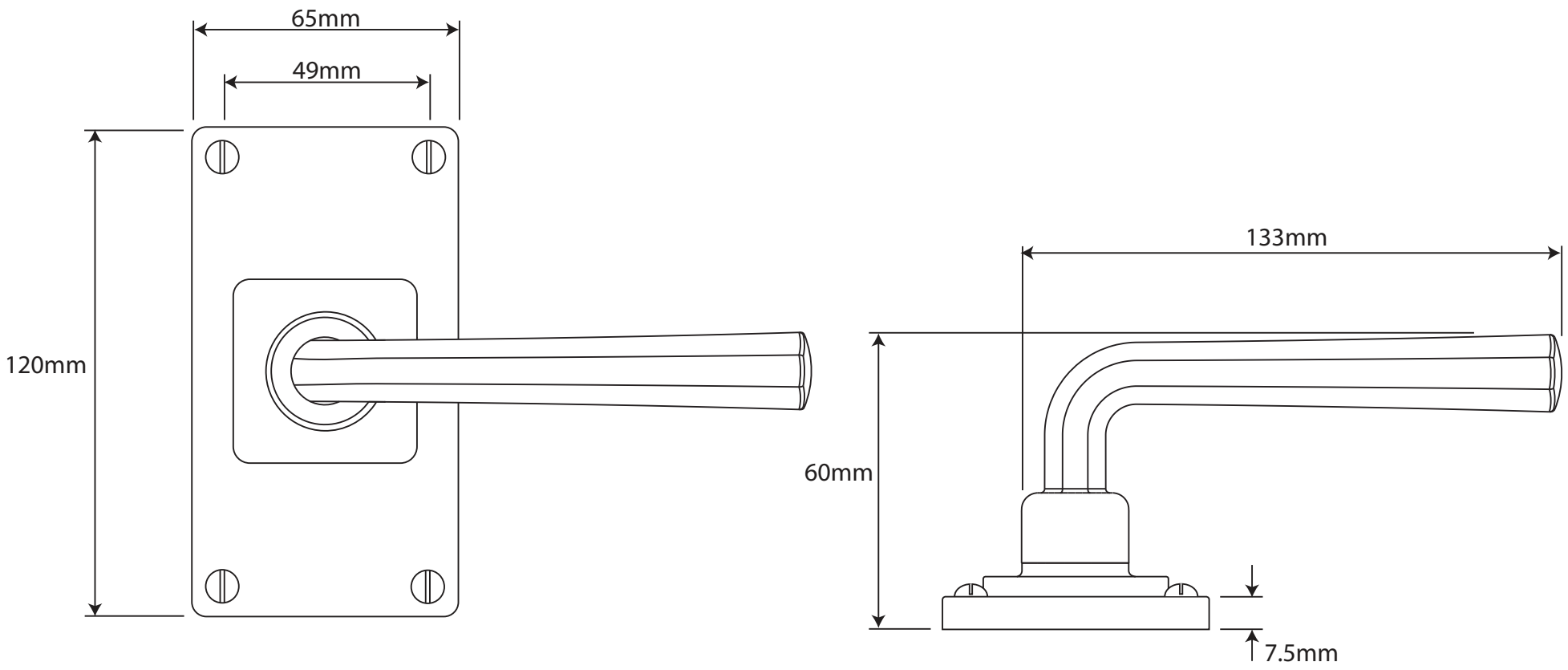


P/N. FD305
 ALL DIMENSIONS IN MM UNLESS STATED
 THE CONTENTS OF THIS DRAWING ARE COPYRIGHT AND SHOULD NOT BE REPRODUCED WITHOUT THE PERMISSION OF DJH ENGINEERING



					QTY	
			DESCRIPTION		DRG.	D. Urwin
			FD305 Tunstall Door Lever Jesmond Short Latch Backplate.		DATE	19/09/18
1	19/09/18		LT REF.	H:\Finess & Stonebridge Handle Hardware\Finesse\ Dim Dwgs\FD305.pdf	SCALE	N/A
ISSUE	DATE	REVISION	MATL.	Pewter	CODE	FD305