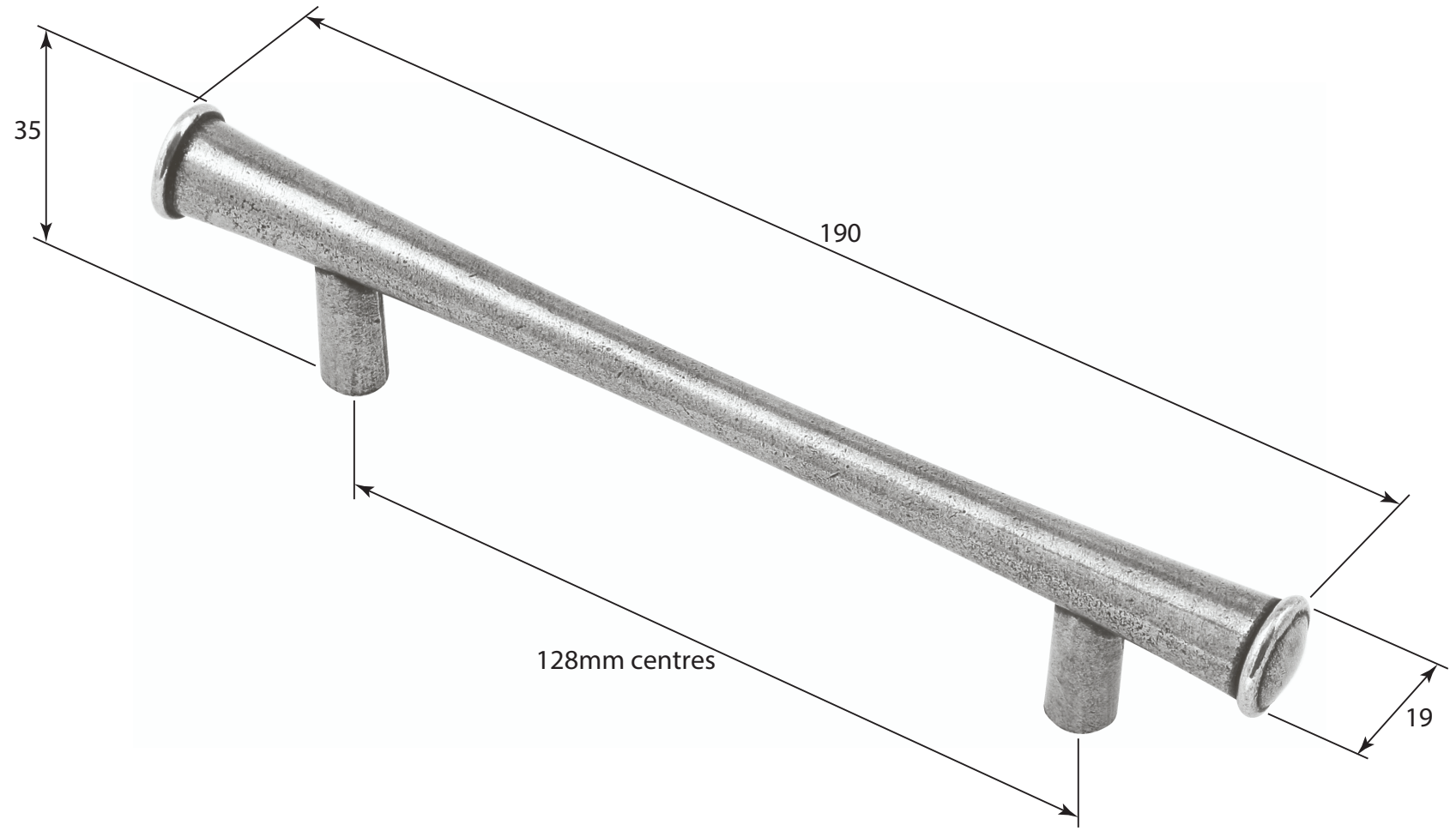


P/N. FD527

ALL DIMENSIONS IN
MM UNLESS STATED

THE CONTENTS OF THIS DRAWING ARE COPYRIGHT AND SHOULD NOT BE
REPRODUCED WITHOUT THE PERMISSION OF DJH ENGINEERING



						QTY	
				DESCRIPTION	DRG.	A.Liddle	
				FD527 Harrington Pull Handle (128mm centres)	DATE	13/08/18	
1	13/08/18		LT REF.	H:\Finesse & Stonebridge Handle Hardware\Finesse\Dim Dwgs\FD527.pdf	SCALE	N/A	
ISSUE	DATE	REVISION	MATL.	Pewter	CODE	FD527	