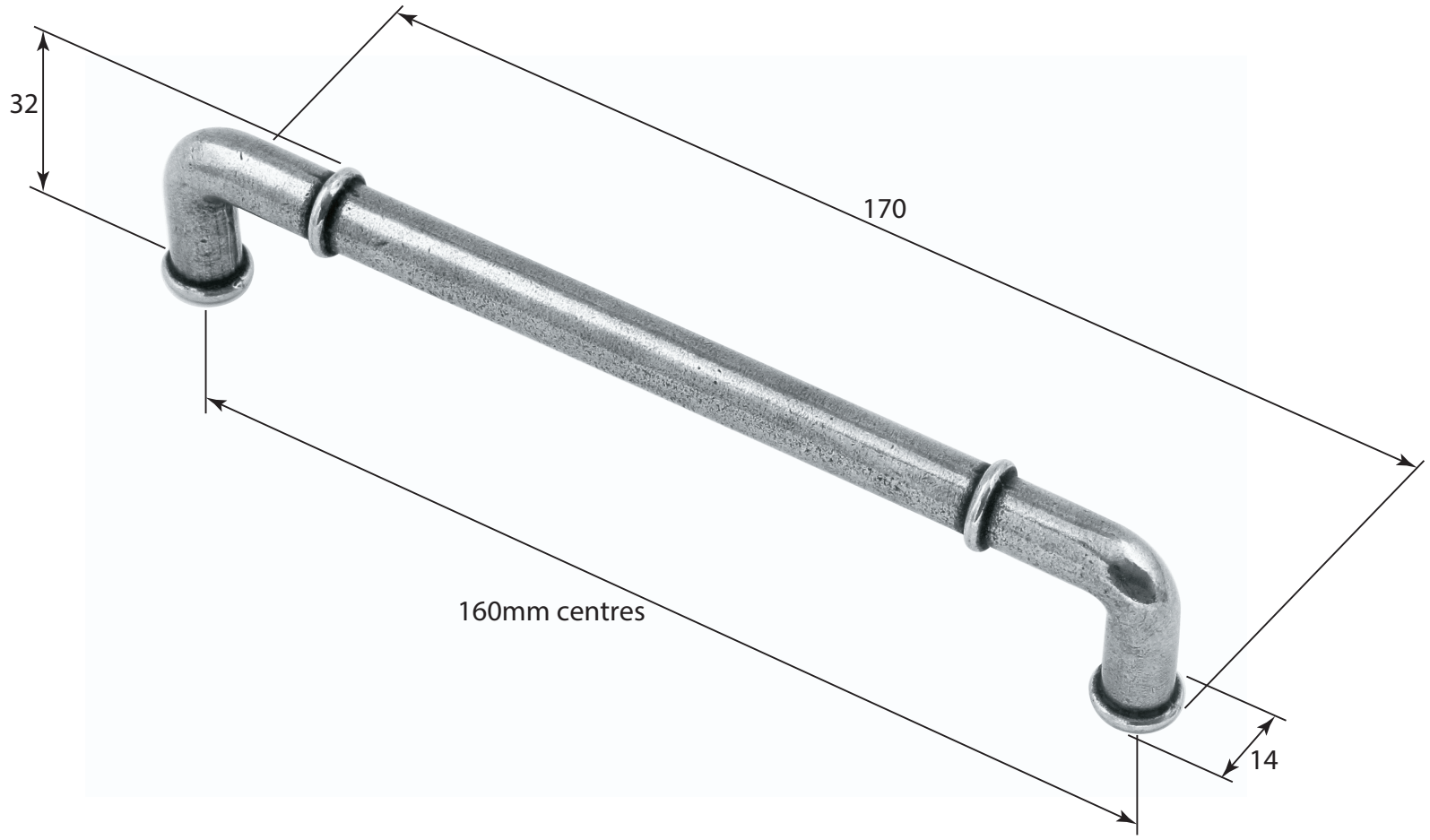


P/N. FD532
 ALL DIMENSIONS IN
 MM UNLESS STATED
 THE CONTENTS OF THIS DRAWING ARE COPYRIGHT AND SHOULD NOT BE
 REPRODUCED WITHOUT THE PERMISSION OF DJH ENGINEERING



					QTY		
			DESCRIPTION	DRG.	A. Liddle		
			FD532 Hendon Pull Handle (160mm centres)	DATE	13/08/18		
1	13/08/18		LT REF.	H:\Finess & Stonebridge Handle Hardware\Finesse\ Dim Dwgs\FD532.pdf		SCALE	N/A
ISSUE	DATE	REVISION	MATL.	Pewter		CODE	FD532