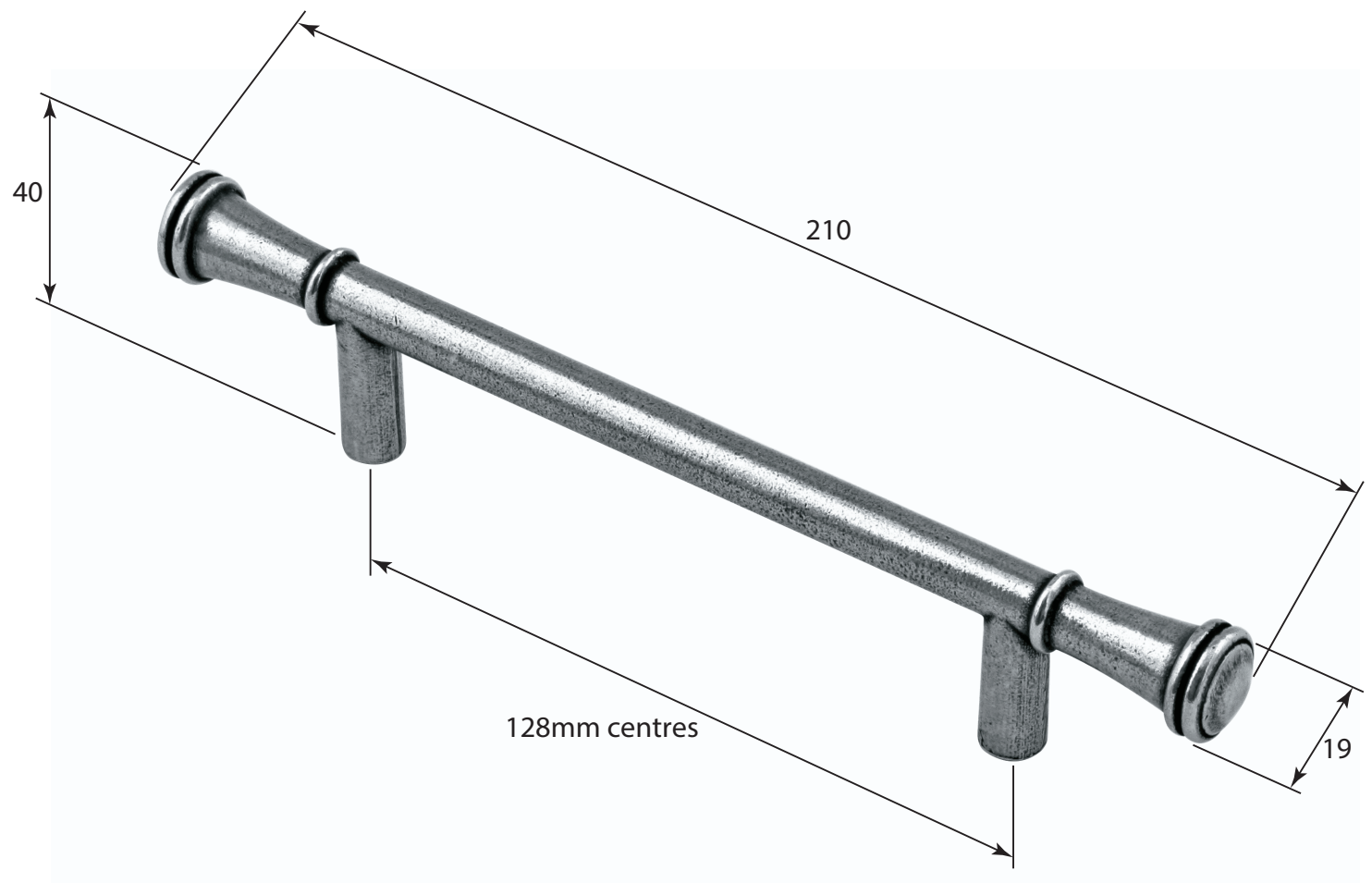


P/N. FD537
 ALL DIMENSIONS IN MM UNLESS STATED
 THE CONTENTS OF THIS DRAWING ARE COPYRIGHT AND SHOULD NOT BE REPRODUCED WITHOUT THE PERMISSION OF DJH ENGINEERING



						QTY	
				DESCRIPTION		DRG.	
				FD537 Durham Pull Handle (128mm centres)		DATE	
				LT REF.		SCALE	
1	03/09/18		H:\Finess & Stonebridge Handle Hardware\Finesse\Dim Dwgs\FD537.pdf		N/A		
ISSUE	DATE	REVISION	MATL.	Pewter	CODE	FD537	