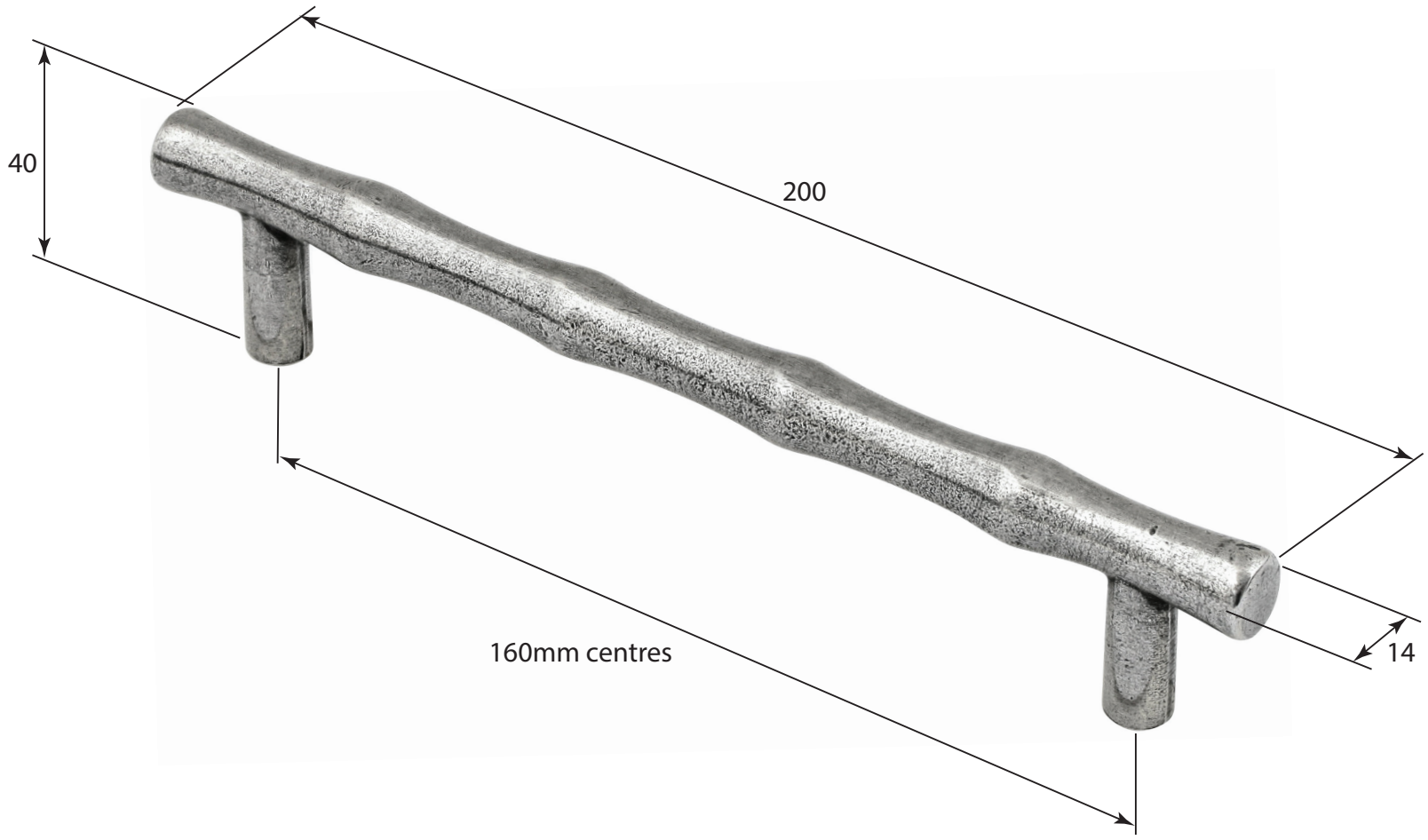


P/N. FD655

ALL DIMENSIONS IN
MM UNLESS STATED

THE CONTENTS OF THIS DRAWING ARE COPYRIGHT AND SHOULD NOT BE
REPRODUCED WITHOUT THE PERMISSION OF DJH ENGINEERING

Finesse
Fine Pewter Hardware
MADE IN BRITAIN



						QTY
			DESCRIPTION		DRG.	D. Urwin
			FD655 Toyko Pull Handle (160mm centres)		DATE	03/09/18
1	03/09/18		LT REF.	H:\Finess & Stonebridge Handle Hardware\Finesse\ Dim Dwgs\FD655.pdf	SCALE	N/A
ISSUE	DATE	REVISION	MATL.	Pewter	CODE	FD655