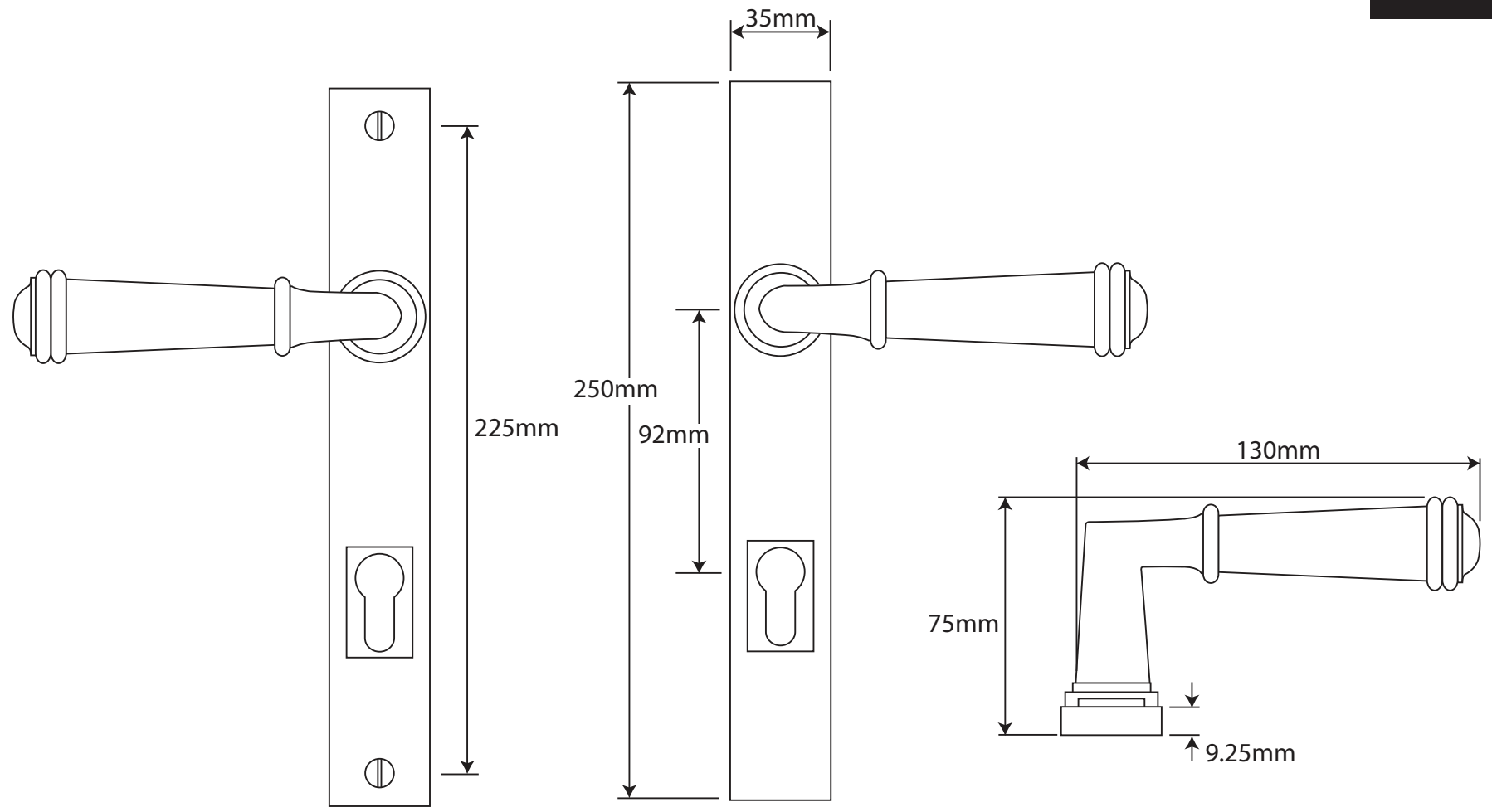


P/N. FDMP01 ALL DIMENSIONS IN MM UNLESS STATED

THE CONTENTS OF THIS DRAWING ARE COPYRIGHT AND SHOULD NOT BE REPRODUCED WITHOUT THE PERMISSION OF DJH ENGINEERING



						QTY	
				DESCRIPTION		DRG.	
				FDMP01 Durham Multipoint Entry Backplate.		D. Urwin	
						DATE	
						20/09/18	
				LT REF.		SCALE	
				H:\Finesse & Stonebridge Handle Hardware\Finesse\ Dim Dwgs\FDMP01.pdf		N/A	
ISSUE	DATE	REVISION	MATL.	Pewter		CODE	
1	20/09/18					FDMP01	