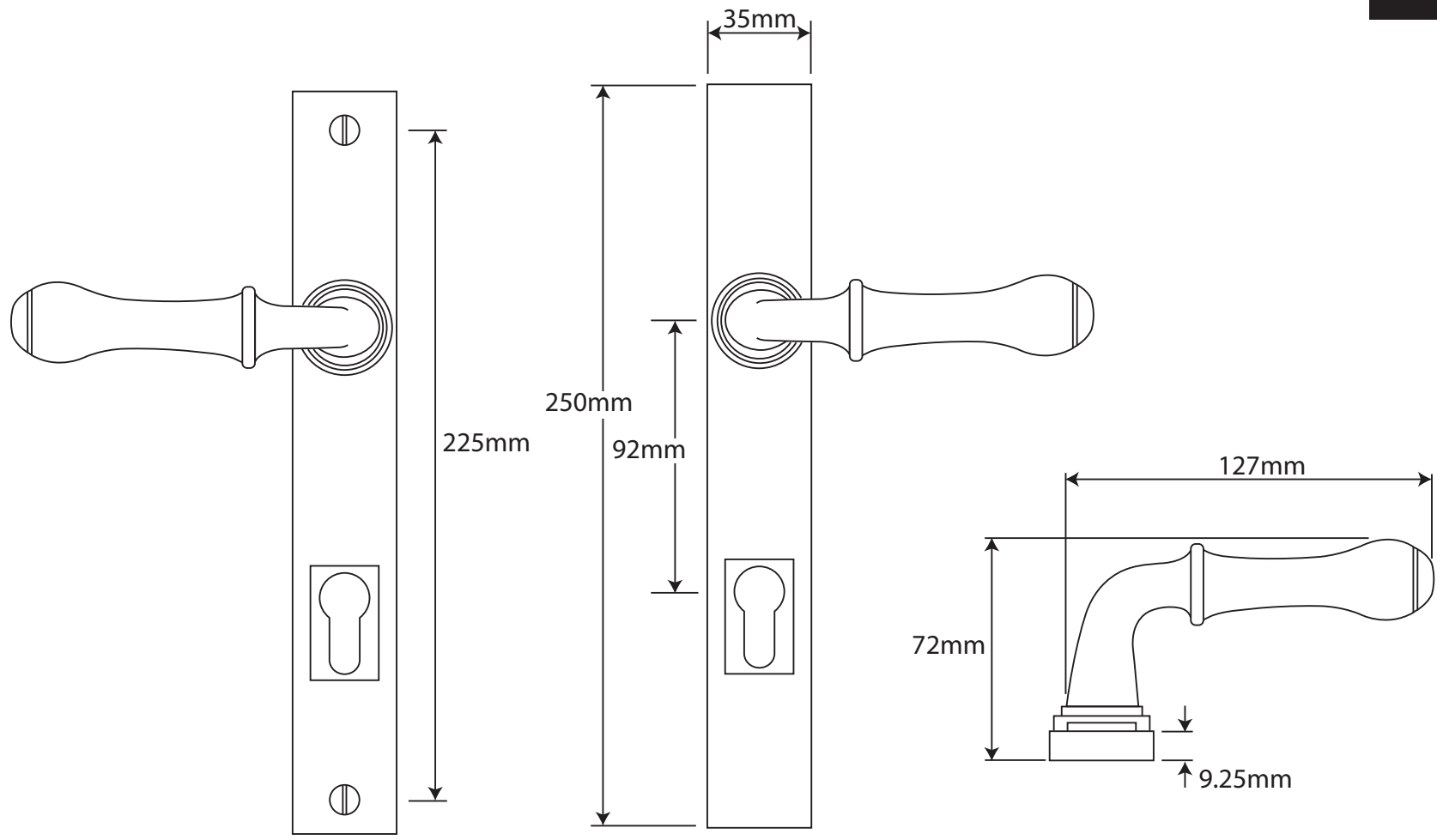


P/N. FDMP04 ALL DIMENSIONS IN MM UNLESS STATED
 THE CONTENTS OF THIS DRAWING ARE COPYRIGHT AND SHOULD NOT BE REPRODUCED WITHOUT THE PERMISSION OF DJH ENGINEERING



						QTY
				DESCRIPTION		DRG.
				FDMP04 Derwent Multipoint Entry Backplate.		DATE
1	20/09/18		LT REF.	H:\Finesse & Stonebridge Handle Hardware\Finesse\ Dim Dwgs\FDMP04.pdf	SCALE	N/A
ISSUE	DATE	REVISION	MATL.	Pewter	CODE	FDMP04