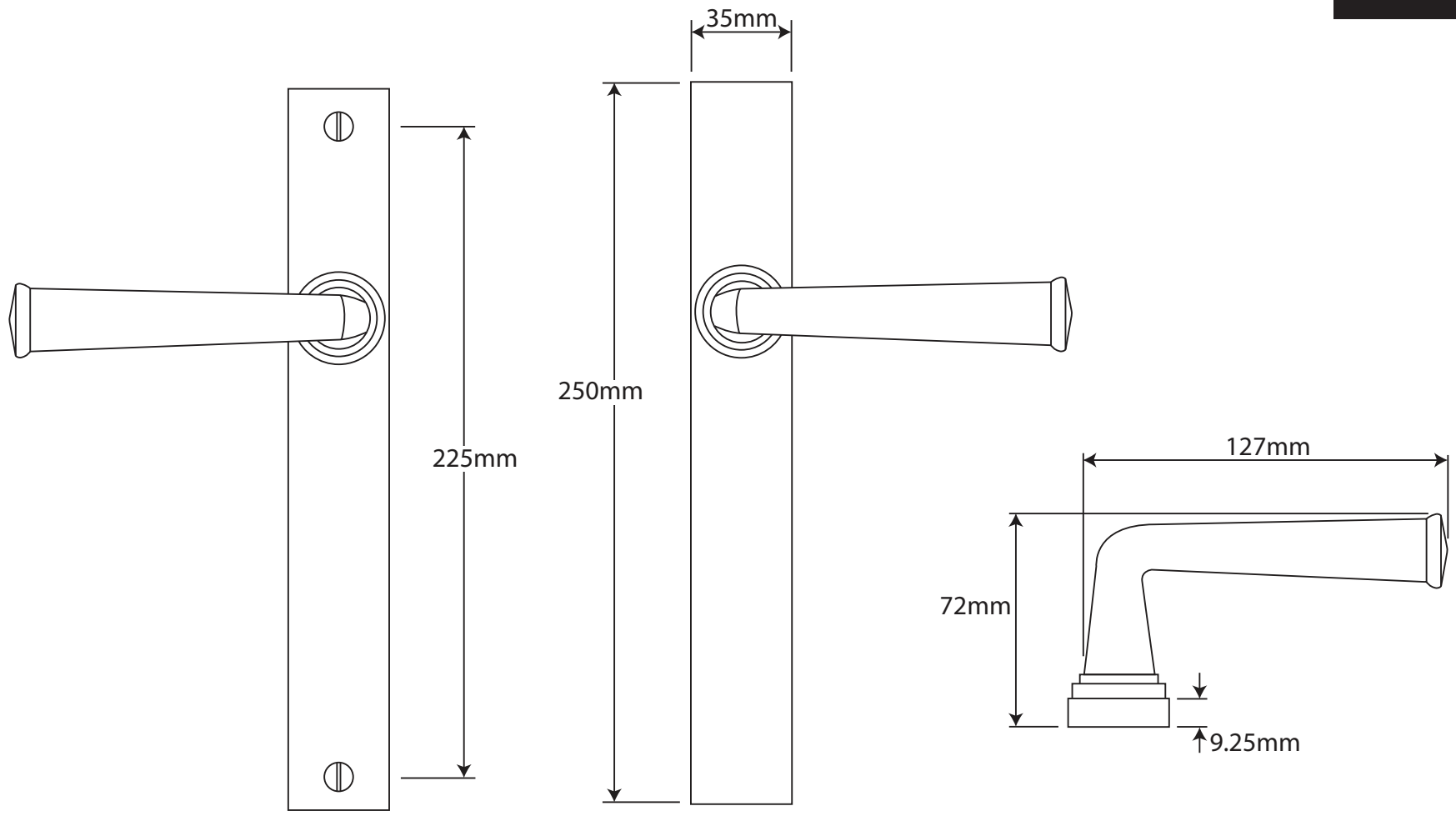


P/N. FDMP12 ALL DIMENSIONS IN MM UNLESS STATED
 THE CONTENTS OF THIS DRAWING ARE COPYRIGHT AND SHOULD NOT BE REPRODUCED WITHOUT THE PERMISSION OF DJH ENGINEERING



						QTY
				DESCRIPTION FDMP12 Allendale Multipoint Passage Backplate.	DRG.	D. Urwin
					DATE	17/09/18
1	17/09/18		LT REF.	H:\Finess & Stonebridge Handle Hardware\Finesse\ Dim Dwgs\FDMP12.pdf	SCALE	N/A
ISSUE	DATE	REVISION	MATL.	Pewter	CODE	FDMP12