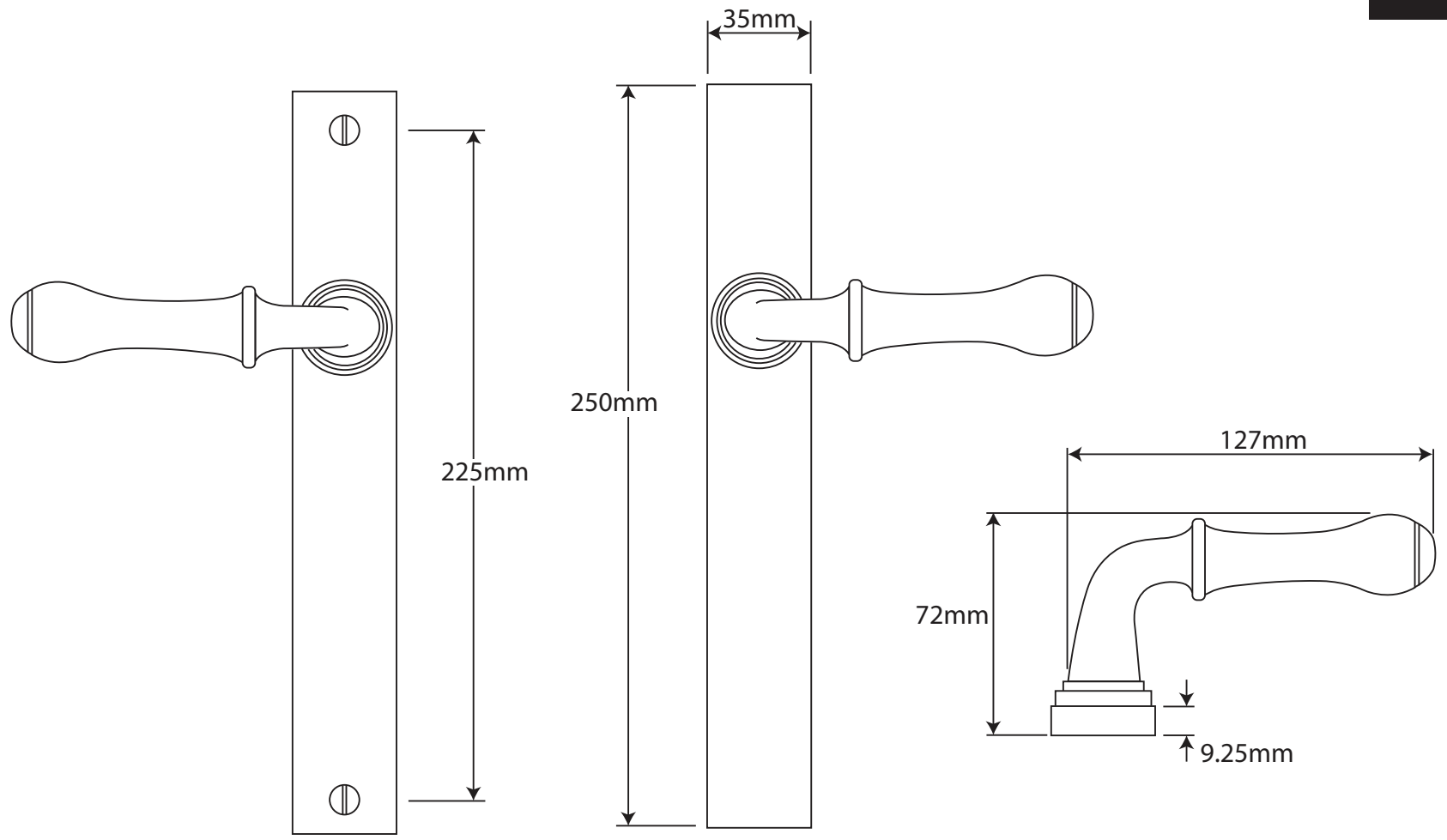


P/N. FDMP14 ALL DIMENSIONS IN MM UNLESS STATED
 THE CONTENTS OF THIS DRAWING ARE COPYRIGHT AND SHOULD NOT BE REPRODUCED WITHOUT THE PERMISSION OF DJH ENGINEERING



				QTY	
				DRG.	D. Urwin
				DATE	20/09/18
1	20/09/18		DESCRIPTION	SCALE	N/A
ISSUE	DATE	REVISION	LT REF.	CODE	FDMP14
			FDMP14 Derwent Multipoint Passage Backplate.		
			MATL.		
			H:\Finess & Stonebridge Handle Hardware\Finesse\ Dim Dwgs\FDMP14.pdf		
			Pewter		