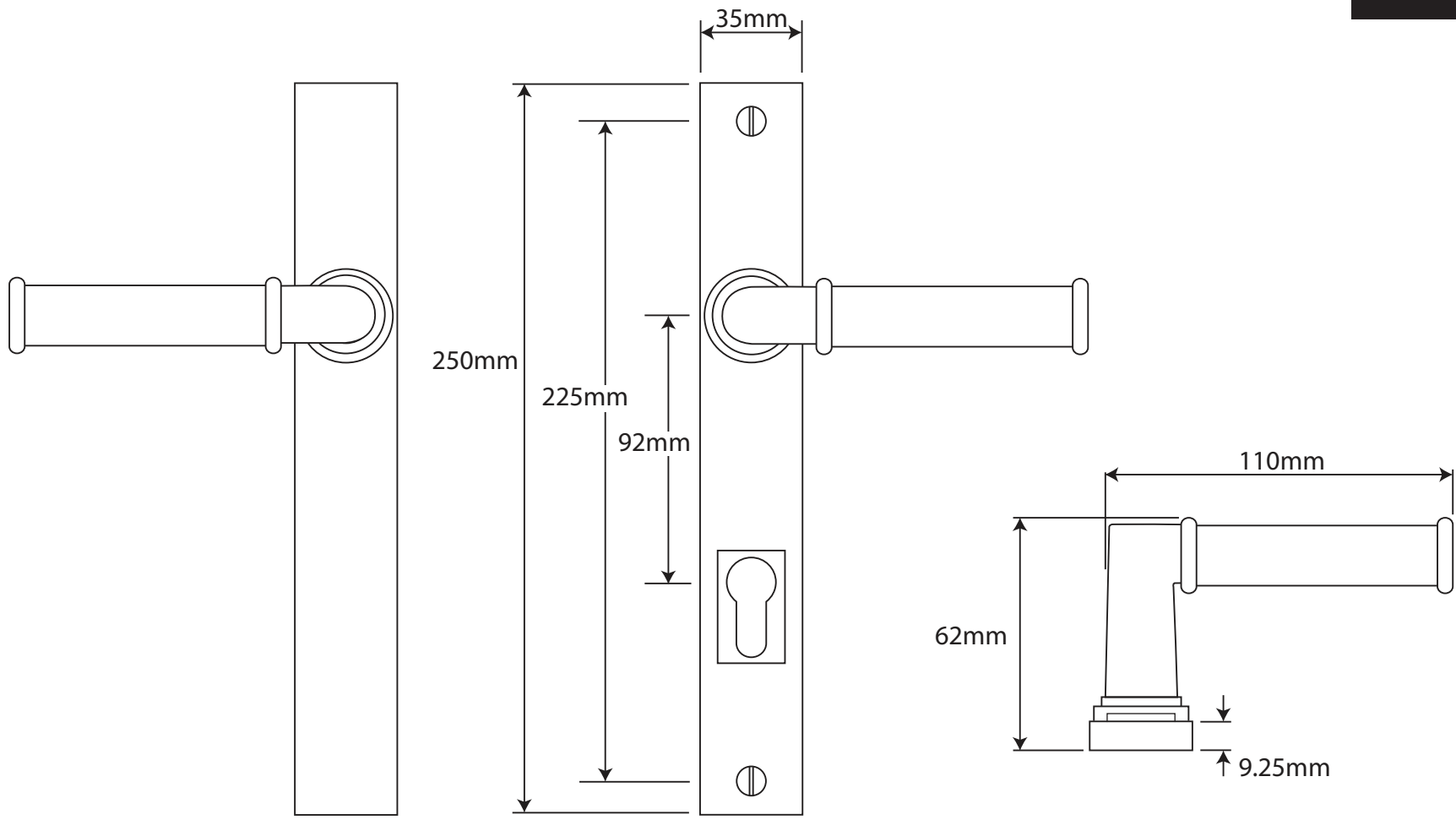


P/N. FDMP20 ALL DIMENSIONS IN MM UNLESS STATED
 THE CONTENTS OF THIS DRAWING ARE COPYRIGHT AND SHOULD NOT BE REPRODUCED WITHOUT THE PERMISSION OF DJH ENGINEERING



						QTY	
				DESCRIPTION		DRG. D. Urwin	
				FDMP20 Wexford Multipoint Patio Backplate.		DATE 17/09/18	
1	17/09/18		LT REF.	H:\Finesse & Stonebridge Handle Hardware\Finesse\ Dim Dwgs\FDMP20.pdf		SCALE N/A	
ISSUE	DATE	REVISION	MATL.	Pewter		CODE FDMP20	