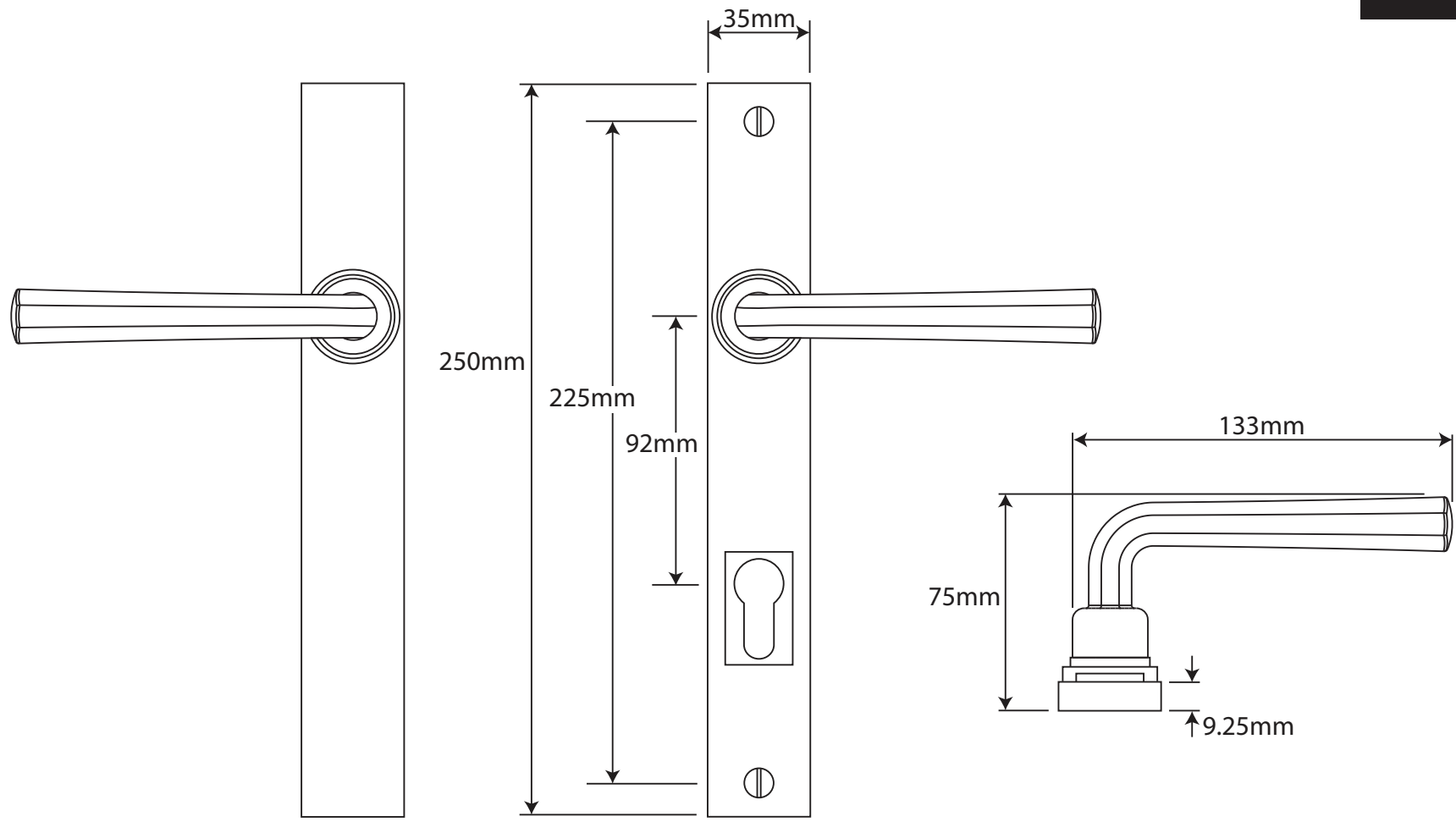


P/N. FDMP25 ALL DIMENSIONS IN MM UNLESS STATED  
 THE CONTENTS OF THIS DRAWING ARE COPYRIGHT AND SHOULD NOT BE REPRODUCED WITHOUT THE PERMISSION OF DJH ENGINEERING



						QTY	
				<b>DESCRIPTION</b>		<b>DRG.</b>	
				FDMP25 Tunstall Multipoint Patio Backplate.		D. Urwin	
						<b>DATE</b>	
						19/09/18	
				<b>LT REF.</b>		<b>SCALE</b>	
1				H:\Finess & Stonebridge Handle Hardware\Finess\ Dim Dwgs\FDMP25.pdf		N/A	
<b>ISSUE</b>				<b>MATL.</b>		<b>CODE</b>	
19/09/18				Pewter		FDMP25	
<b>REVISION</b>							