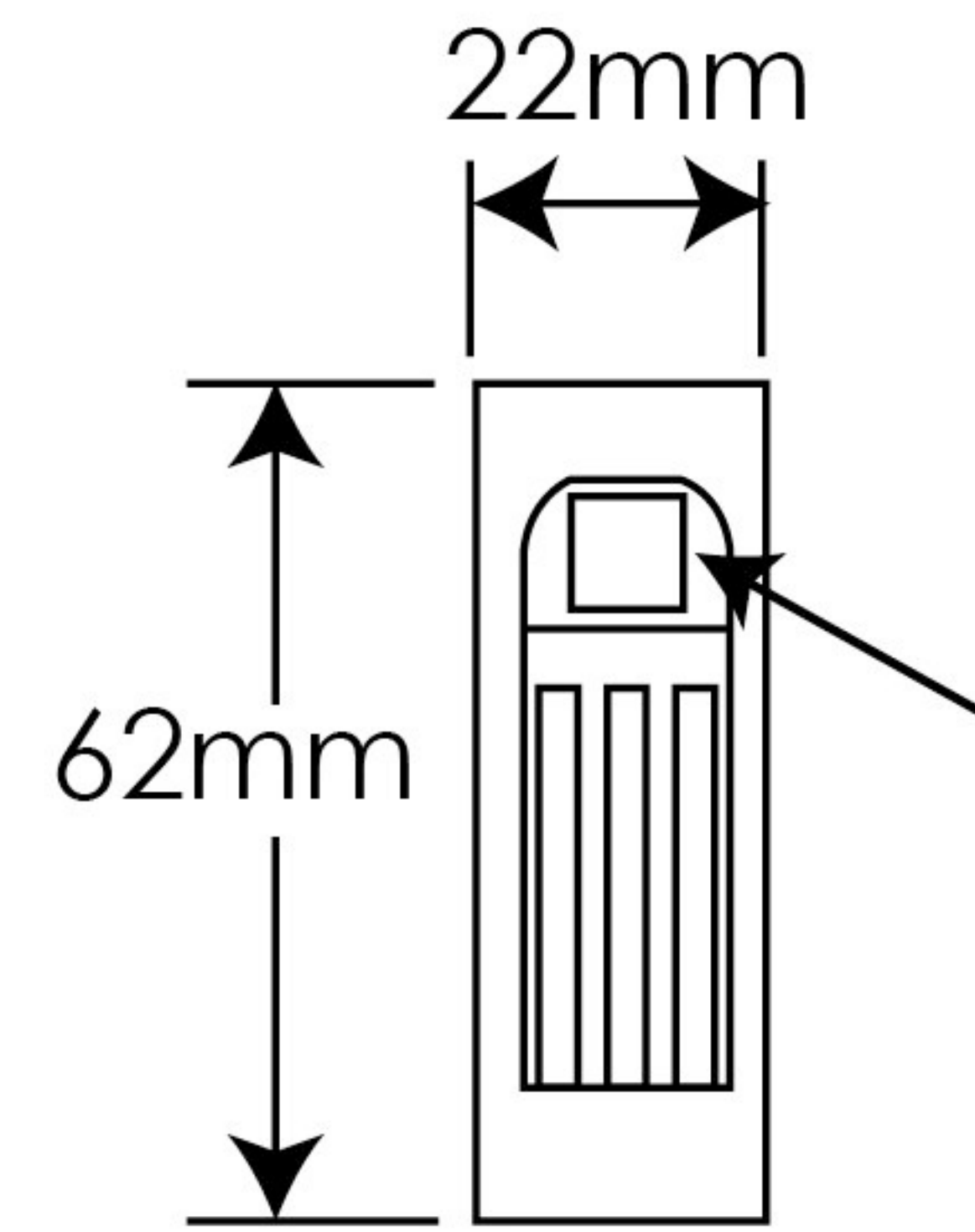


Spring cassette fits in rear of backplate



Spindle fits through this hole

