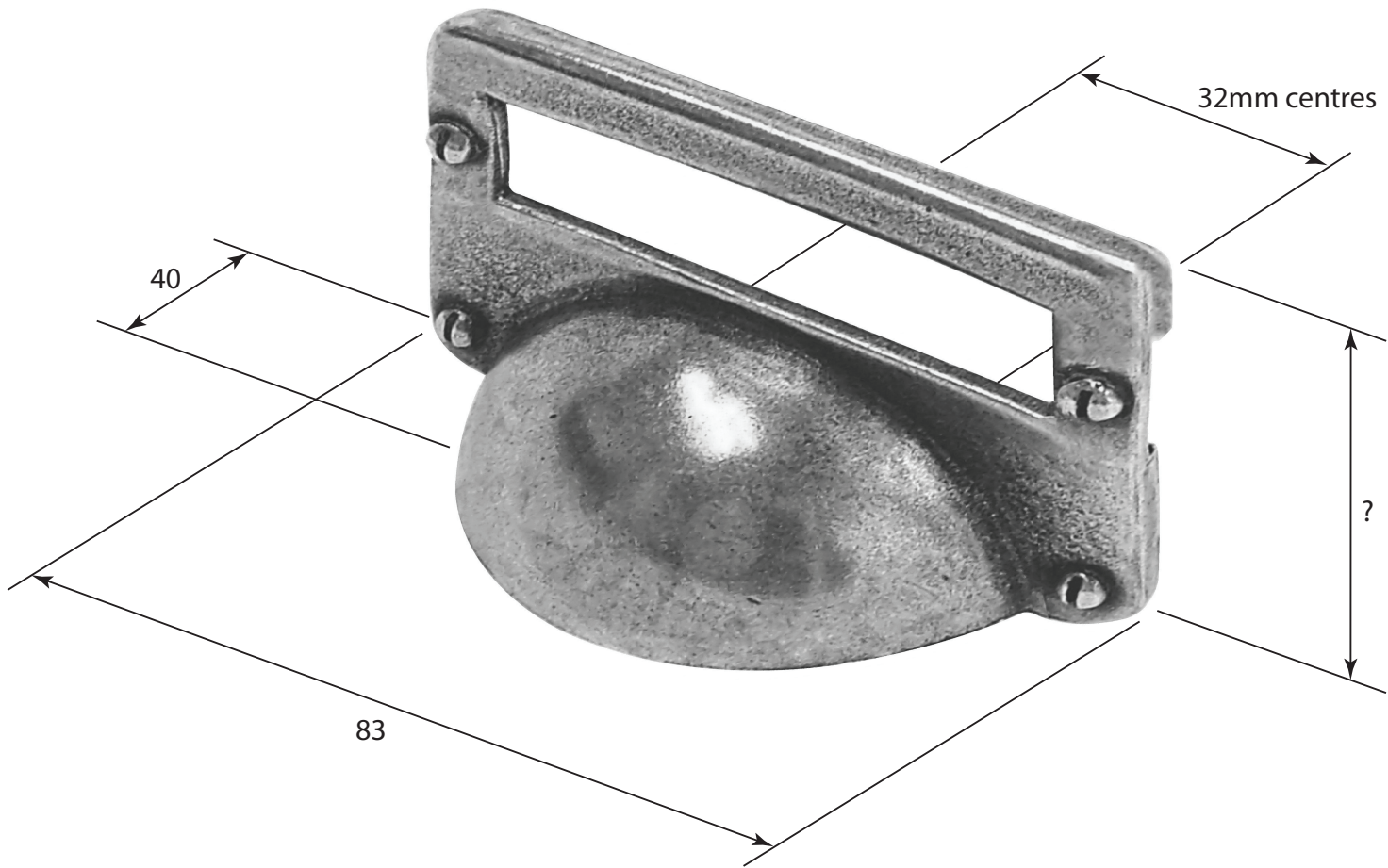


P/N. PCH007    ALL DIMENSIONS IN MM UNLESS STATED  
 THE CONTENTS OF THIS DRAWING ARE COPYRIGHT AND SHOULD NOT BE REPRODUCED WITHOUT THE PERMISSION OF DJH ENGINEERING



									QTY
			<b>DESCRIPTION</b>		<b>DRG.</b>	D. Urwin			
			PCH007 Leighton Cup Handle		<b>DATE</b>	23/08/18			
1	23/08/18		<b>LT REF.</b>	H:\Finesse & Stonebridge Handle Hardware\Finesse\Dim Dwgs\PCH007.pdf	<b>SCALE</b>	N/A			
<b>ISSUE</b>	<b>DATE</b>	<b>REVISION</b>	<b>MATL.</b>	Pewter	<b>CODE</b>	PCH007			