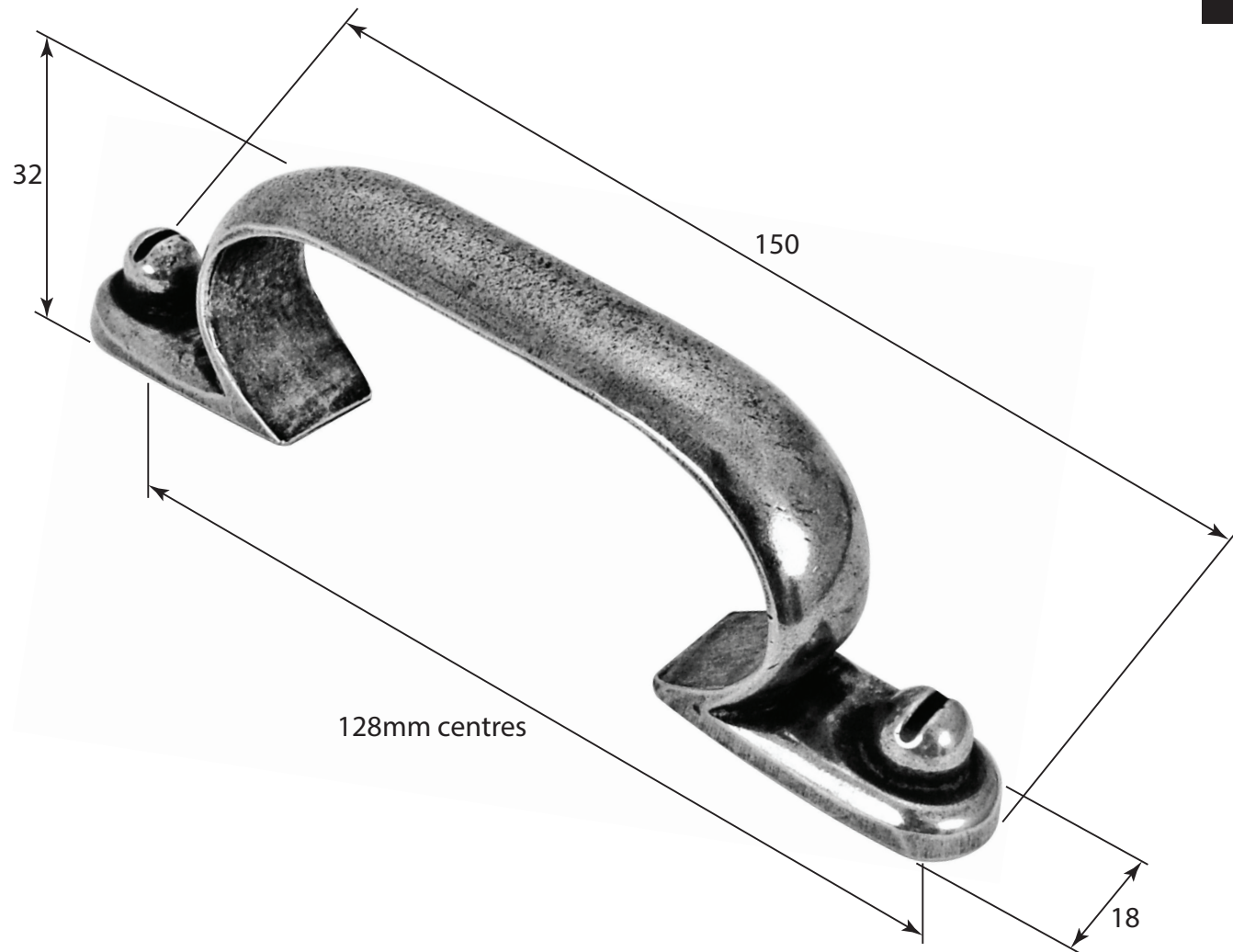


P/N. PPH035
ALL DIMENSIONS IN MM UNLESS STATED
 THE CONTENTS OF THIS DRAWING ARE COPYRIGHT AND SHOULD NOT BE REPRODUCED WITHOUT THE PERMISSION OF DJH ENGINEERING



						QTY
				DESCRIPTION	DRG.	D. Urwin
				PPH035 Felling Pull Handle (128mm centres)	DATE	05/09/18
1	05/09/18		LT REF.	H:\Finess & Stonebridge Handle Hardware\Finesse/ Dim Dwgs/PPH035.pdf	SCALE	N/A
ISSUE	DATE	REVISION	MATL.	Pewter	CODE	PPH035